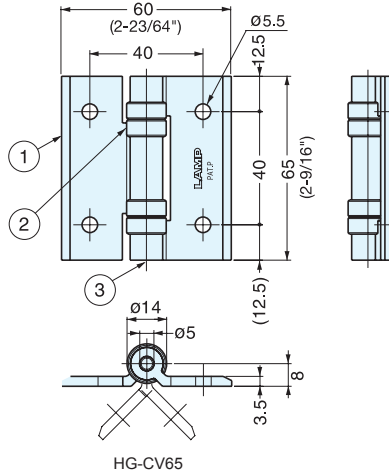
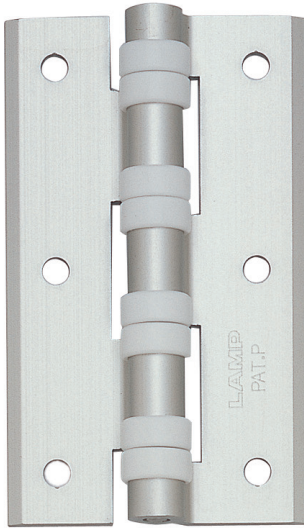


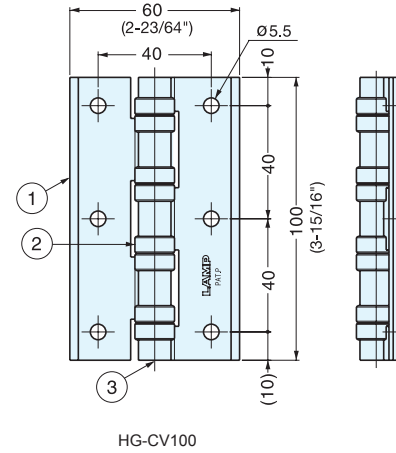
CLEAN ROOM HINGE (W/BUSHING)



HG-CV



- No metal-to-metal contact.
- Polyacetal bushings minimize particles.
- Ideal for clean room application.
- Door weight:
HG-CV 65 Max. 8 kg/pair (17.6 lbs/pair)
HG-CV100 Max. 13 kg/pair (28.6 lbs/pair)



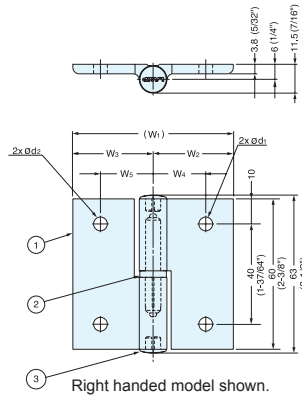
Item No.	Weight (g)	Box (pcs)	Carton (pcs)
HG-CV65	50	20	240
HG-CV100	78		160

No.	Part Name	Material	Finish
①	Body	Aluminum	Anodized
②	Bushing	Polyacetal	White
③	Hinge Pin	304 Stainless Steel	-

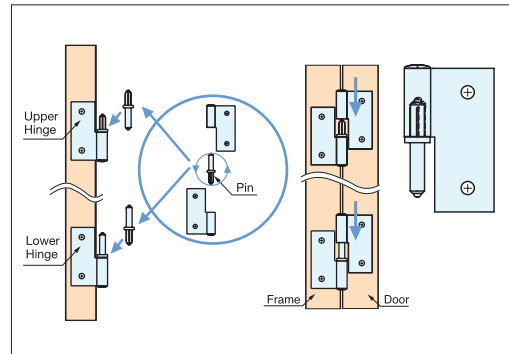
ALUMINUM LIFT-OFF HINGES



AS-HG-AL-N



- Designed for aluminum profiles.
- Plastic bushings provide smooth movement.



No.	Part Name	Material	Finish
①	Body	Aluminum	Matte Silver
②	Pin	Stainless Steel (SUS303), Polyacetal (POM)	White
③	Cover	Polyacetal (POM)	White

Item No.	Spec.	W ₁	W ₂	W ₃	W ₄	W ₅	d ₁	d ₂	Box (pcs)	Carton (pcs)
AS-HG-AL-NL3020	Left	43	18	25	11	16	4.5	5.5	20	240
AS-HG-AL-NR3020	Right									
AS-HG-AL-NL3030	Left	50	25		16					
AS-HG-AL-NR3030	Right									
AS-HG-AL-NL3040	Left	57		21	11	4.5				
AS-HG-AL-NR3040	Right									
AS-HG-AL-NL4020	Left	50	18	32	21	4.5				
AS-HG-AL-NR4020	Right									
AS-HG-AL-NL4040	Left	64	32		21	5.5				
AS-HG-AL-NR4040	Right									