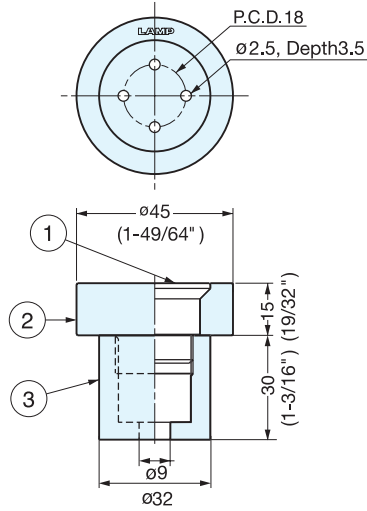


DOOR STOPPER



HT-32P

- Door stopper with a clear acrylic bumper.
- Supplied with stainless steel screw 8 x 50, anchor plug and special wrench.



Item No.	Weight (g)	Box (pc)	Carton (pcs)
HT-32P	320	1	30

No.	Part Name	Material	Finish
①	Face Plate	304 Stainless Steel	Satin
②	Bumper	Soft Acrylic	Clear
③	Post	304 Stainless Steel	Satin

DOOR STOPPER

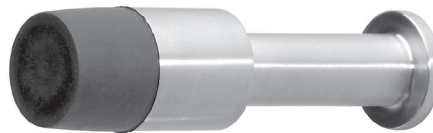


DSD

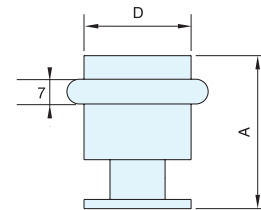
- Supplied with screw and expansion anchor.



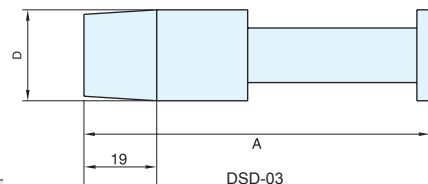
DSD-02 (Floor-Mount Type)



DSD-03 (Wall-Mount Type)



DSD-02



DSD-03

Item No.	D	A	Weight (g)	Box (pcs)	Carton (pcs)
DSD-02/S	20 (25/32")	35 (1-3/8")	68	25	250
DSD-02/L	35 (1-3/8")	50 (1-31/32")	281	10	100
DSD-03/S	25 (63/64")	65 (2-9/16")	147		
DSD-03/M		95 (3-47/64")	187		
DSD-03/L		125 (4-39/64")	229		

Material	Finish
303/304 Stainless Steel	Satin