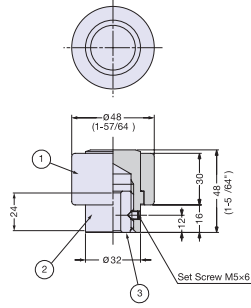


Zwei L Door Stopper



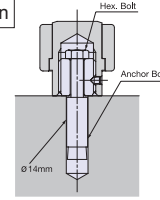
ZL-1801

DOOR ACCESSORIES

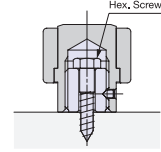


• Supplied with stainless steel hex. bolt (M8 × 75), concrete anchor (for M8, ø14 mm hole), stainless steel carriage bolt (M8 × 50) and allen key.

Concrete, Tile, Brick Floor Installation



Wood Floor Installation



Item No.	Weight (g)	Box (pc)
ZL-1801	381	1

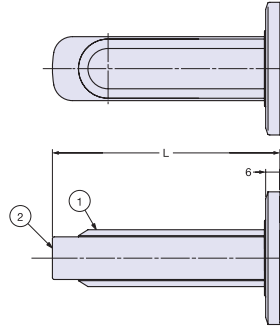
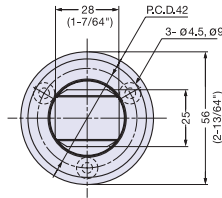
No.	Part Name	Material	Finish
①	Body	316 Stainless Steel	Zwei L
②	Bumper	Synthetic Rubber	Black
③	Base	316 Stainless Steel	Plain

Zwei L DOOR STOPPERS

Zwei L Door Stopper



ZL-1802



• Supplied with stainless steel wood screws (4.1 × 32) and concrete anchor (for wood screw 4.1, ø6 mm hole).

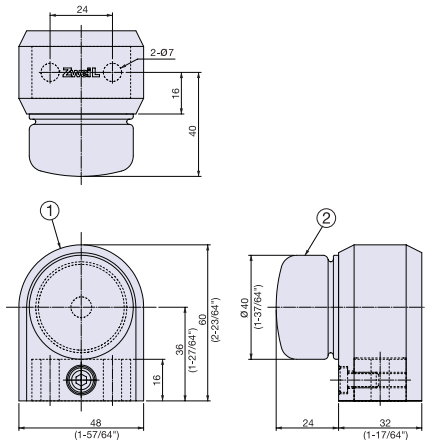
Item No.	L	Weight (g)	Box (pc)
ZL-1802-72	72 (2-53/64")	360	1
ZL-1802-96	96 (3-25/32")	474	

No.	Part Name	Material	Finish/Color
①	Body	316 Stainless Steel	Zwei L
②	Bumper	Synthetic Rubber	Black

Zwei L Door Stopper



ZL-1803



• Supplied with stainless steel wood screw (6.2 × 56), anchor plug and 4 mm allen key.

Item No.	Weight (g)	Box (pcs)
ZL-1803	-	1

No.	Part Name	Material	Finish
①	Body	316 Stainless Steel	Zwei L
②	Bumper	EPDM	Grey