

COUNTER HOOKS

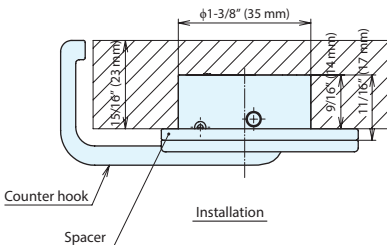
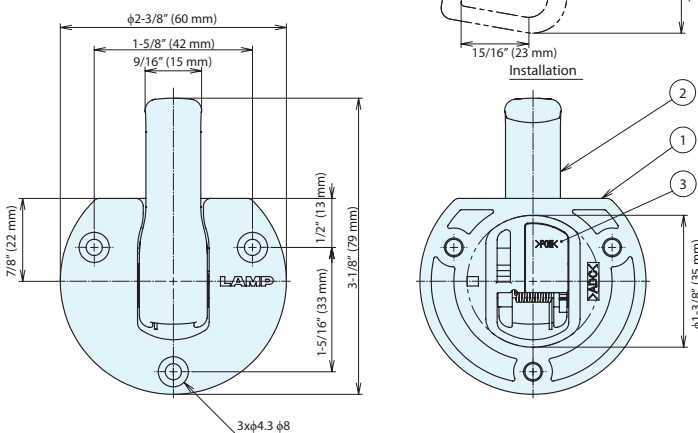
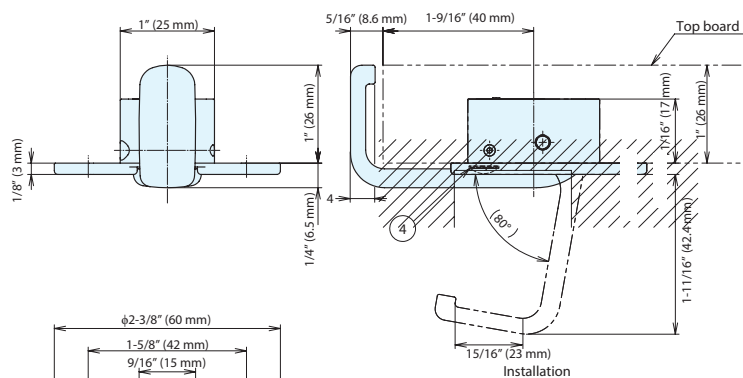
HK-CH35



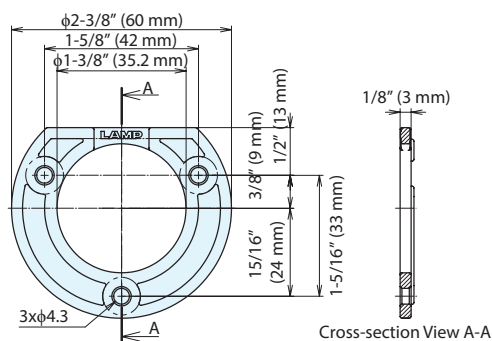
- Recessed mounted hook provides a clean appearance.
- Hook can be seen at the edge when unused.
- Hook closes and retracts with a soft-close motion into body when hooked items are removed.
- Board thickness: Min. 1" (26 mm).

| Board Thickness | Qty of Spacers | Bore Depth |
|-------------------------|----------------|---------------|
| Min 1" (26mm) | None | 11/16" (17mm) |
| 15/16" ~1" (23~26mm) | 1 pcs | 9/16" (14mm) |
| 13/16"~15/16" (20~23mm) | 2 pcs | 7/16" (11mm) |
| 11/16"~15/16" (17~20mm) | 3 pcs | 8 mm |

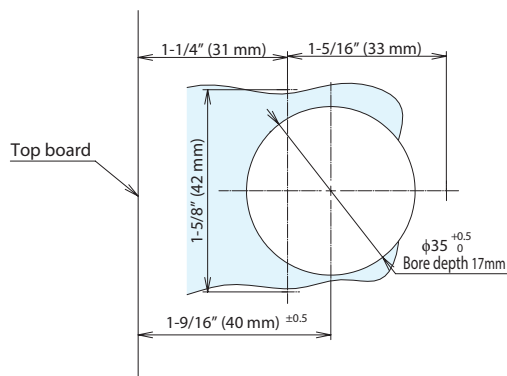
HOOKS
COUNTER HOOKS



[Spacer]



[Bore Dimensions]



| Item No. | Finish | Load Capacity (kgf) | Box (pcs) | Carton (pcs) |
|------------|--------|---------------------|-----------|--------------|
| HK-CH35-BL | Black | 10 (22 lbf) | 20 | 200 |
| HK-CH35-BR | Brown | | | |
| HK-CH35-SL | Silver | | | |

| | Part Name | Material | Finish |
|---|-----------|----------------------|----------------------------------|
| ① | Body | Aluminum Alloy (ADC) | Enamel Finish Black/Brown/Silver |
| ② | Arm | Aluminum Alloy (ADC) | Enamel Finish Black/Brown/Silver |
| ③ | Cover | Plastic (POM) | - |
| ④ | Bumper | PUR | Clear |
| ⑤ | Spacer | Plastic (PA) | Black |