

FORGED BRASS DOUBLE HOOK



PXB-BN05

HOOKS

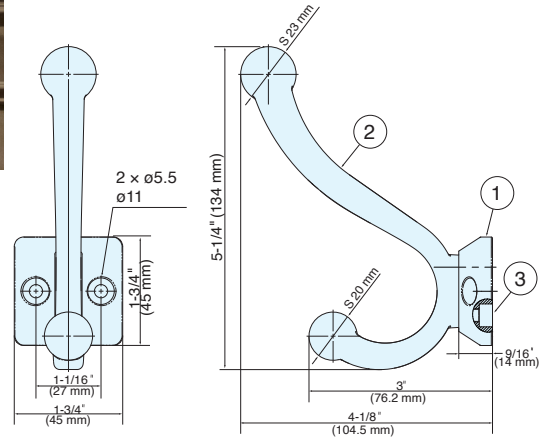
PXB HOOK SERIES COAT HOOKS



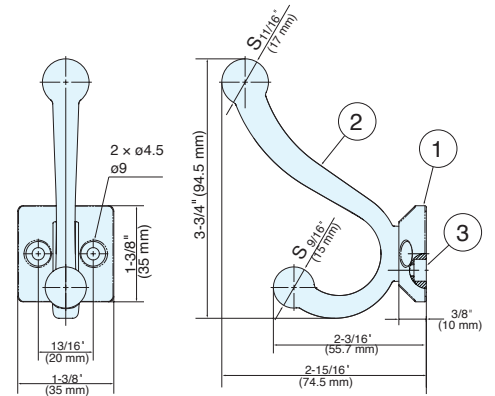
- A high-end design which harmonizes both classical and contemporary styles.
- Built from luxurious solid brass forged to perfection.
- Meticulously crafted to ensure durability and a high quality finish.
- A clear lacquer coating is applied to prevent tarnishing.
- The endpoints feature a spherical design making it safer to use and lowers the risk of accidental injury.
- Includes screws that match the color of the finish.



Blasted Metal Polished Brass Satin Brass Antique Brass Matte Black



PXB-BN05-231



PXB-BN05-211

Item No.	Material	Finish	Load Capacity	Weight (g)	Box (pcs)	Carton (pcs)
PXB-BN05-211-BM	Brass	Blasted Metal	18.7 lbs (8.5 kg)	165	4	20
PXB-BN05-211-PB		Polished Brass				
PXB-BN05-211-SB		Satin Brass				
PXB-BN05-211-AB		Antique Brass				
PXB-BN05-211-BL		Matte Black				
PXB-BN05-231-BM	Brass	Blasted Metal	33 lbs. (15 kg)	415	4	20
PXB-BN05-231-PB		Polished Brass				
PXB-BN05-231-SB		Satin Brass				
PXB-BN05-231-AB		Antique Brass				
PXB-BN05-231-BL		Matte Black				

No.	Part Name	Material
①	Base	Brass
②	Arm	
③	Hex Socket Bolts	Steel