

CONCEALED TORQUE HINGE



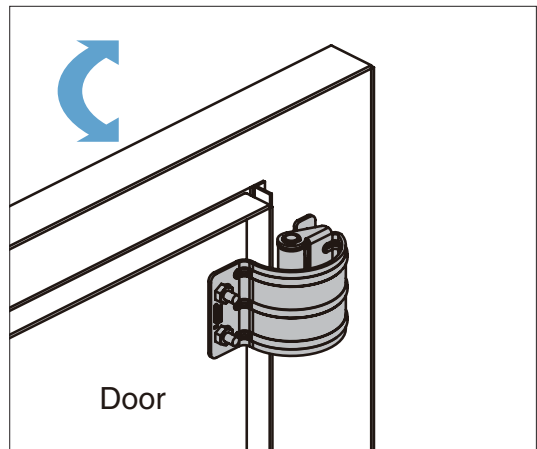
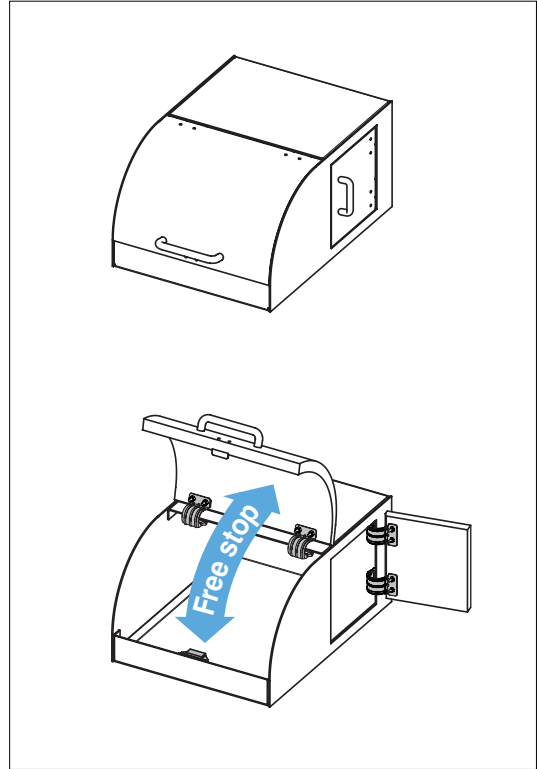
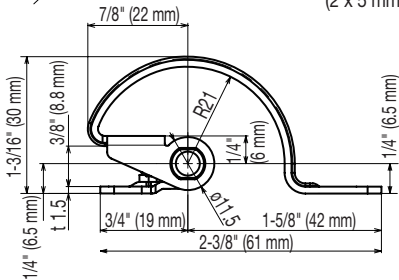
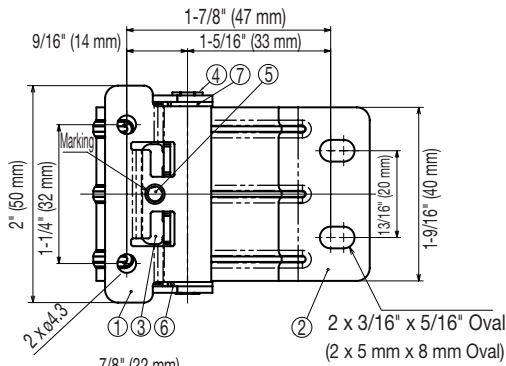
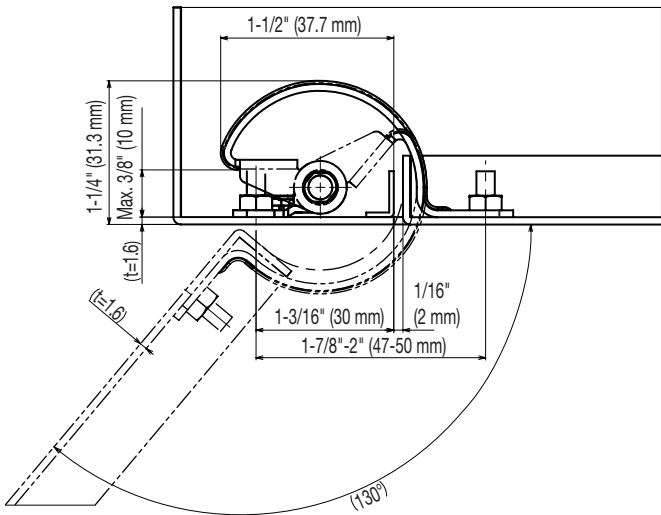
HG-TUWA

HINGES

HIDDEN TORQUE HINGES



- High torque and wide opening angle (130°).
 - Installation on the back side or inner side of the door for a clean aesthetics and appearance.
 - Can be used horizontally or vertically.
 - When installing, ensure that both hinge shafts are aligned.
 - Successfully passed 20,000 open/close private cycle tests.
- Note:
- Initial torque may vary -20%~+40%.
 - Not suitable for high frequency use.
 - Do not lubricate.



No	Part Name	Material	Finish
①	Body	304 Stainless Steel	Polished
②	Base		
③	Press Washer	303 Stainless Steel	-
④	Shaft		
⑤	Pin		
⑥	Fixing Tube L	Plastic	Black
⑦	Fixing Tube R		

Item No.	Torque per piece (kgf·cm)	Weight (g)	Box (pcs)	Carton (pcs)
HG-TUWA07	7.1 (6.2 lbs-in)	88	20	100
HG-TUWA15	15.3 (13.2 lbs-in)			