

# DAMPER CATCH



## DC-200

CATCHES & LATCHES

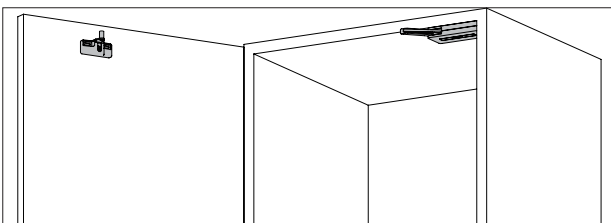


- Damper and catch combination for large cabinetry and closet doors.
- Allows door to soft close and prevent slamming.
- Holds doors in closed position.
- Easy to install by simply aligning body with the interior wall.
- Non-handed.
- Can handle doors up to 88 lbs (40 kg). (When using DC-200 - 40).
- Strike can be adjusted post-installation: horizontally  $\pm 5$  mm, vertically  $\pm 4$  mm.
- Passed 50,000 open/close cycles in a private test.

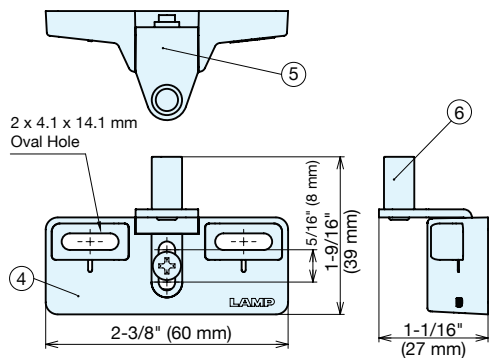
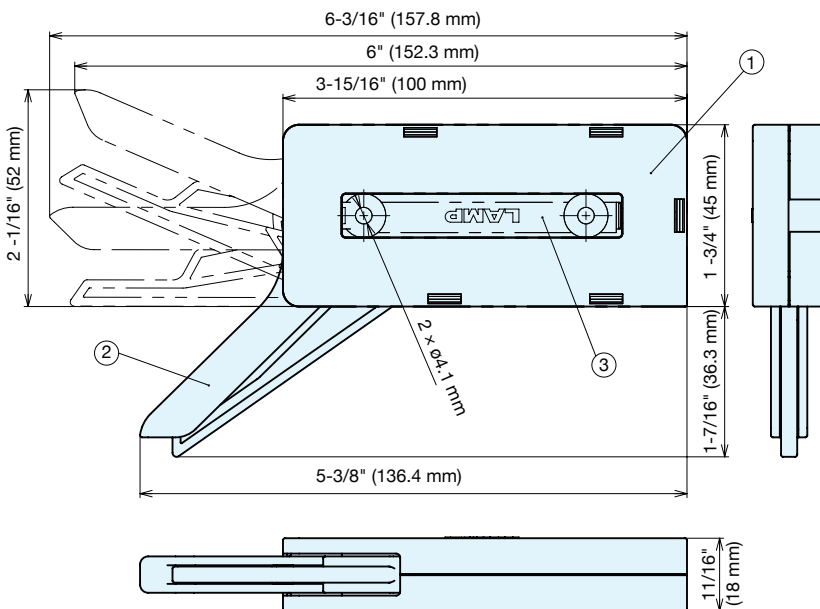
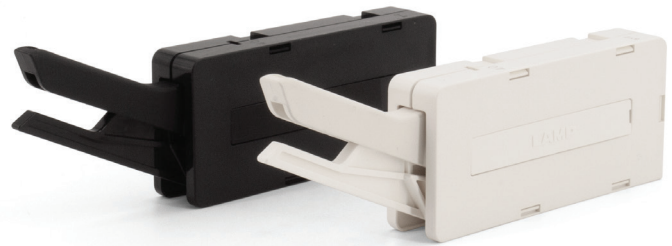
### RECOMMENDED HINGES

- Heavy Duty Concealed Hinge J95.
- 3way Adjustable Concealed Hinge HES3D-90
- Single axis furniture hinges.

DAMPER CATCHES



Attach to the interior of the cabinet.



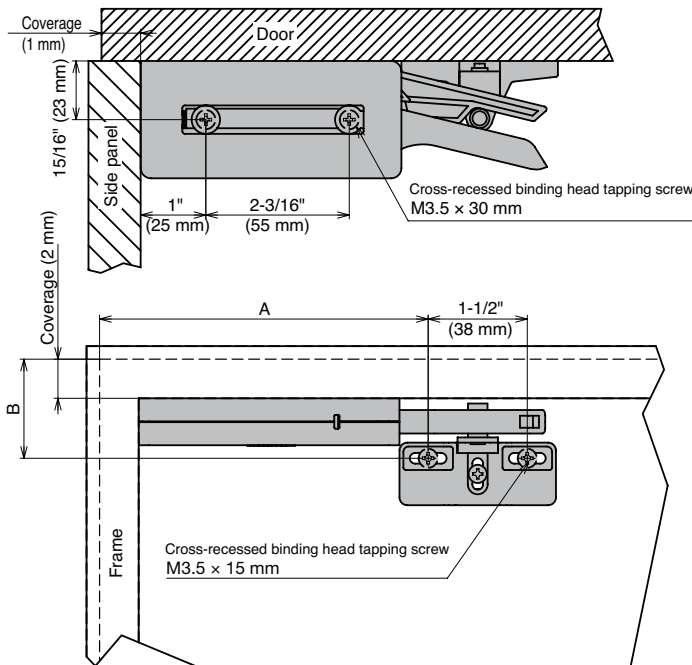
| No. | Item Name     | Materials    | Finish/Colour  |
|-----|---------------|--------------|----------------|
| ①   | Body          | PC/ABS       | White / Black  |
| ②   | Arm           | PA           | White / Black  |
| ③   | Body Cover    | ABS          | White / Black  |
| ④   | Counter       | PC/ABS       | White / Black  |
| ⑤   | Counter Plate | Steel (SPCC) | Nickel Plating |
| ⑥   | Bumper        | Elastomer    | Gray           |

| Item Name   | Colour | Door Width                           | Door Height Max.  | Load Capacity lbs    | Weight (g) | Box (pcs) | Carton (pcs) |
|-------------|--------|--------------------------------------|-------------------|----------------------|------------|-----------|--------------|
| DC-200-25WT | White  | 17-3/4" ~ 35-7/16"<br>(450 - 900 mm) | 94-1/2" (2400 mm) | 15 ~ 55 (7 ~ 25 kg)  | 105        | 10        | 100          |
| DC-200-25BL | Black  |                                      |                   |                      |            |           |              |
| DC-200-40WT | White  |                                      |                   | 55 ~ 88 (25 ~ 40 kg) |            |           |              |
| DC-200-40BL | Black  |                                      |                   |                      |            |           |              |

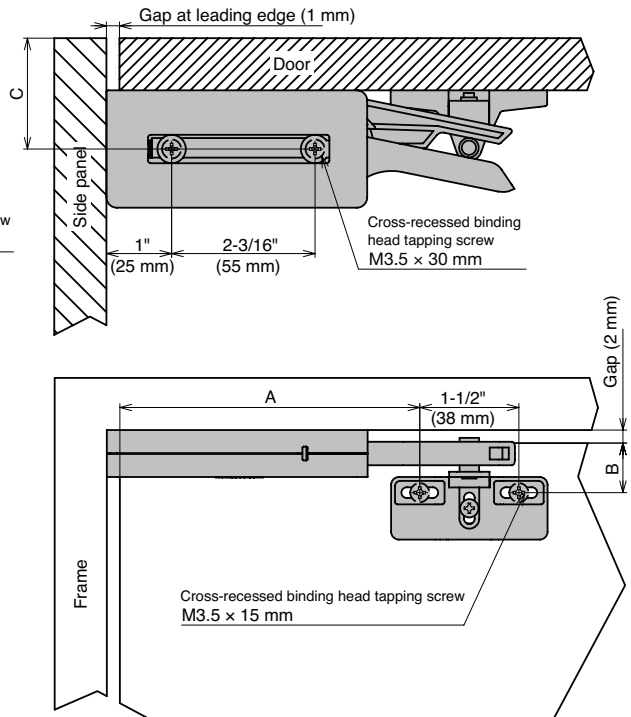
# DAMPER CATCH

# DC-200

For overlay doors

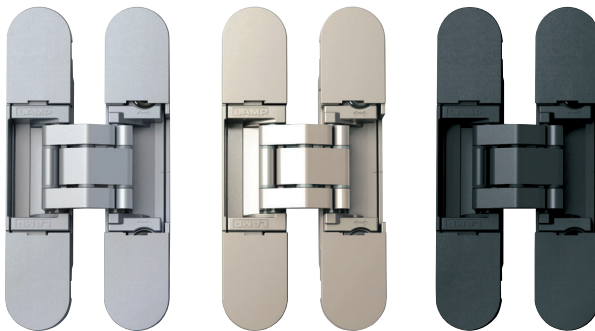


For inset doors Install a door stopper in addition to this product.



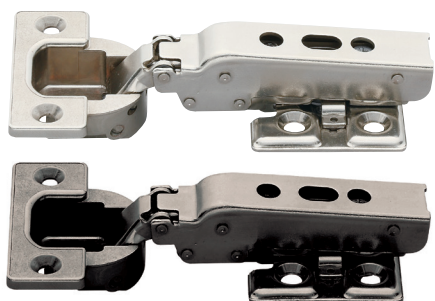
|              | A                             | B                 | C                 |
|--------------|-------------------------------|-------------------|-------------------|
| Outset Doors | 114 + Coverage (1)            | 24 + Coverage (2) |                   |
| Inset Doors  | 114 - gap at leading edge (1) | 24 - gap (2)      | 23+Door Thickness |

## RELATED PRODUCTS



### 3-WAY ADJUSTABLE CONCEALED HINGE HES3D-90

- 3-WAY adjustment function allows vertical, horizontal, and depth adjustment.
- Covers hide all screw heads for clean appearance.
- Hinge leaves separate for easy installation and adjustment.
- Door weight: Max. 26 lbs (12 kg)/2 pcs, 35 lbs (16 kg)/3 pcs
- Door thickness: Min. 15/16" (23 mm)
- Max door size: H 59-1/16" x W 23-5/8" (1500 mm x 600 mm)
- Includes steel countersunk wood screws.



### HEAVY DUTY CONCEALED HINGE J95

- Available in inset and overlay
- Load capacity: 55 lbs (25 kg)/2 pcs, 88 lbs (40 kg)/3 pcs.
- Maximum door width: 31-1/2" (800 mm)/2 pcs, 35-7/16" (900 mm)/3 pcs.
- Clip on type for easy installation.
- 3-way adjustment with door installed.
- Optional hinge cover (J95SC-25) and mounting plate cover (J95ZC) available (sold separately p.288).