

STAINLESS STEEL GRAVITY HINGE FOR GLASS DOOR

GH-G07

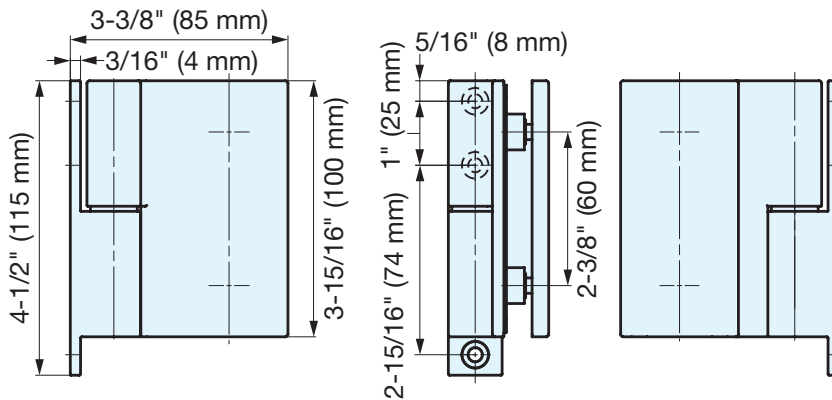
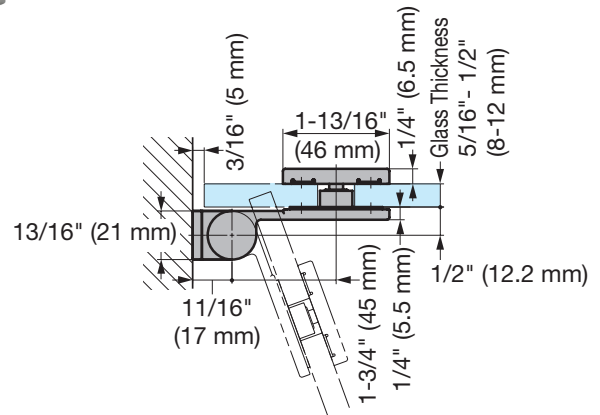
- Can be used in areas where water is used.
- Hinge self-closes between 0° and 70°.
- Hinge self-opens between 70° and 160°. Use door stopper to achieve desired max opening angle.
- A rise of 1/8" (3 mm) occurs when open 70°.



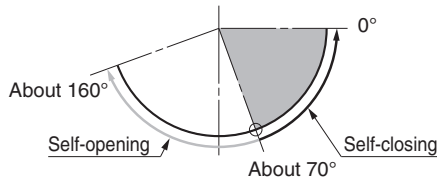
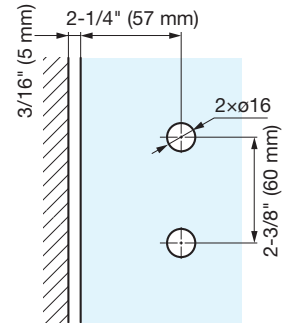
GH-G07-L



Reverse side



Glass Dimensions



Glass Thickness	Load Capacity		Opening Angle
5/16" - 1/2" (8 - 12 mm)	99.2 lbs/2 pcs (45 kg/2 pcs)	110.2 lbs/3 pcs (50 kg/3 pcs)	160°

Item No.	Type	Material	Finish	Door Specs			
				Width/2 pcs	Height/2 pcs	Width/3 pcs	Height/3 pcs
GH-G07-R	Right Side	Stainless Steel	Mirror	31-1/2"	82-11/16"	33-7/16"	94-1/2"
GH-G07-L	Left Side			(Max. 800 mm)	(Max. 2100 mm)	(Max. 850 mm)	(Max. 2400 mm)