

SPRING LOADED BARREL BOLT



BSS-2

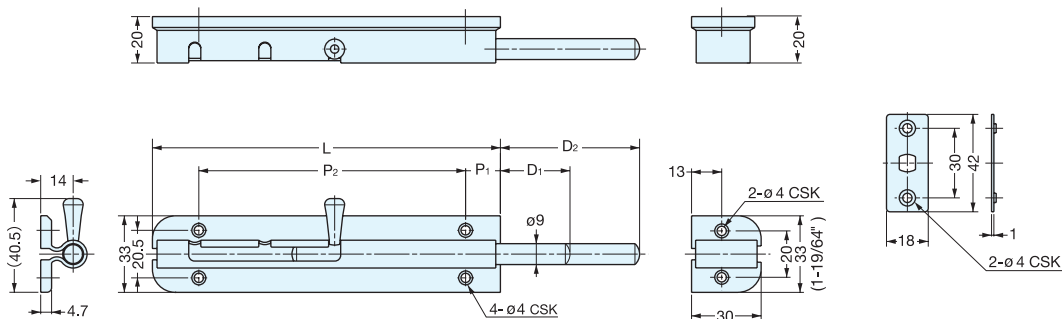


BSS2-150



BSS2-90

- Knob springs back into sleeve to keep bolt in locked or unlocked position.
- Extra sleeve for locking offers flexibility in application.
- Designed for application where longer throw is needed.
- Supplied with mortise and surface strike.



Item No.	L	P ₁	P ₂	D ₁	D ₂	Weight (g)	Box (pcs)	Carton (pcs)
BSS2-90	90 (3-35/64")	13	60	21	42	140	15	150
BSS2-150	150 (5-29/32")	15	115	30	60	212	10	100

Material	Finish
304 Stainless Steel	Satin

SPRING LOADED BARREL BOLT

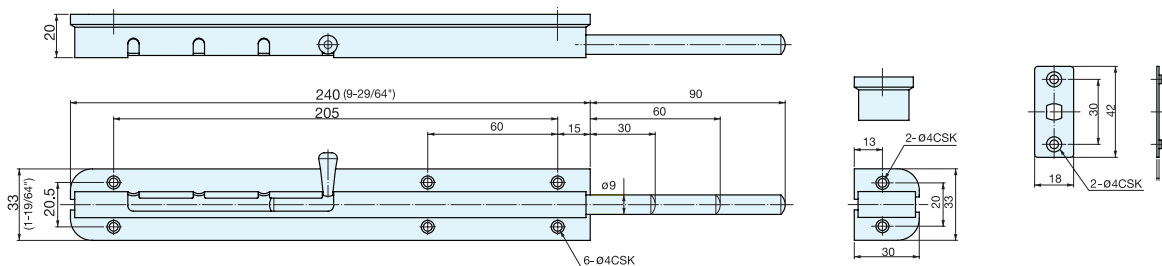


BSS-3



BSS3-240

- Knob springs back into sleeve to keep bolt in locked or unlocked position.
- Extra sleeves for locking offers flexibility in application.
- Designed for application where longer throw is needed.
- Supplied with mortise and surface strike.



Item No.	Weight (g)	Box (pcs)	Carton (pcs)
BSS3-240	320	6	60

Material	Finish
304 Stainless Steel	Satin