

# FLUSH SLAM LATCH

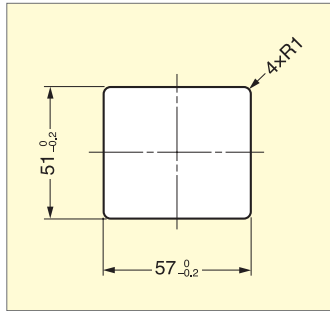


## ATL-64

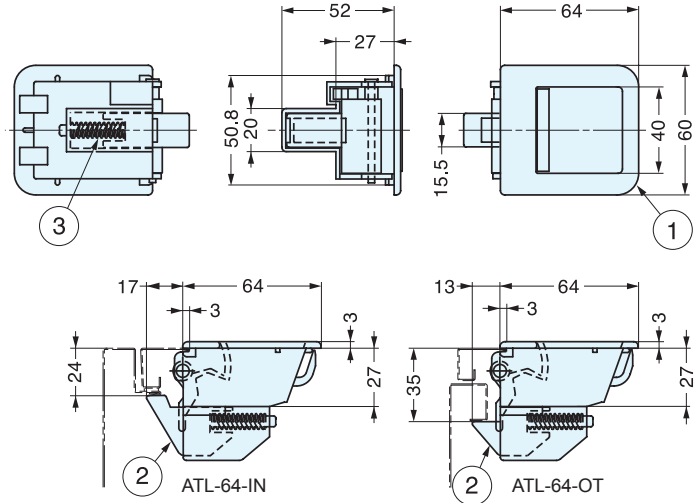


ATL-64-IN

ATL-64-OT



Cut Out Dimensions



- Door latches when closed.
- Pull lever to release latch when opening door.
- Auto lock feature.
- For use with 0.7-1 mm thick material.

Item No.	Application	For use with panels	weight
ATL-64-IN	Inset	0.7-1mm	44.5g
ATL-64-OT	Overlay		

No.	Part Name	Material	Finish/Color
①	Main Body	ABS Plastic	Off white
②	Latch	Polyamide	
③	Spring	304 Stainless Steel	Plain

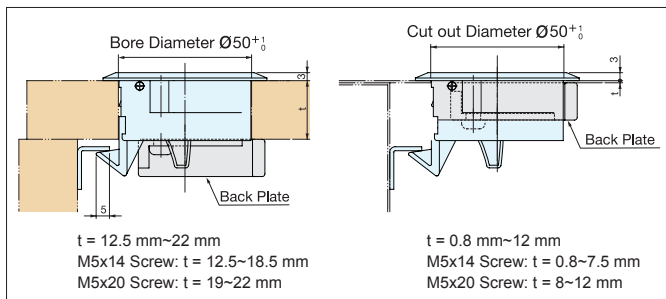
# FLUSH SLAM LATCH



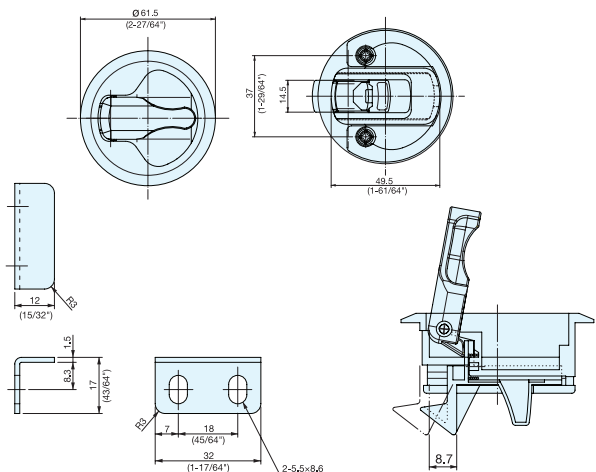
## LJ-61



- Door will be latched when closed.
- Pull lever to open.
- Non-Handed:  
Can be installed on left or right side.
- Easy installation.  
Insert the latch body through single round cutout or bore section and screw-on the back plate.  
Back plate is designed to accommodate door thickness 0.8 mm~12 mm, and also 12.5 mm~22 mm by flipping over the back plate.



Installation



Item No.	Load Capacity (kg)	Weight (g)	Box (pcs)	Carton (pcs)
LJ-61/BLK	15 (33 lbs)	45	10	120
LJ-61/WHT				

Part Name	Material	Finish/Color
Body/Spring	Polycetal, Polycarbonate, 304 Stainless Steel	Black, White
Counterplate	316 Stainless Steel	Satin