

PUSH KNOB LATCH

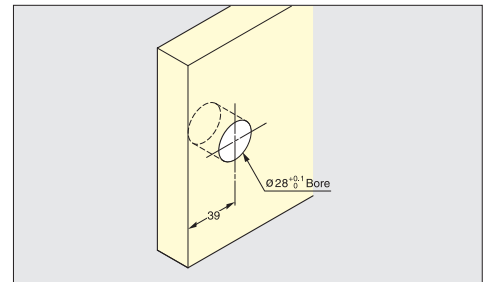
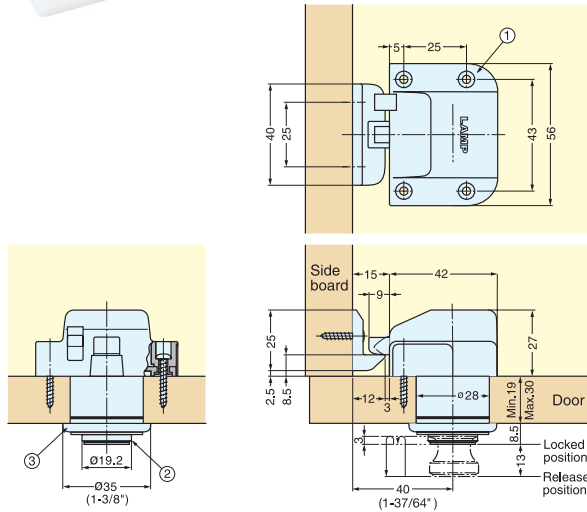
TEST 11
P.697

3x16
3x20
STEEL

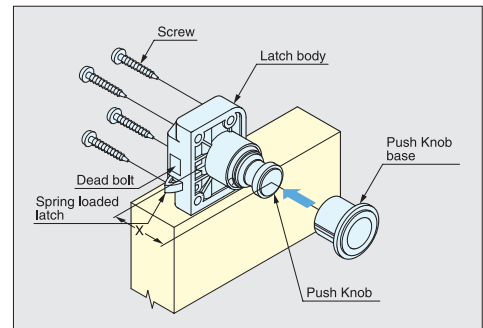
TLP



- Door Thickness: 19 mm~30 mm (3/4"~ 1-3/16")
- Door will be locked when knob is pushed in.
- Dead bolt to securely lock the door.
- Holding Force : 20 kg (44 lbs)
- Non-handed.
- Order Latch Body (TLP-LBM/WHT) and Push Knob (TLP-BB/XX) for complete set.
- Ideal for cabinets in boats, buses, and RVs.



Bore Dimensions (Inset Door Application)



Installation



■ Supplied with 2 threaded screws (L=24 mm and 30 mm).

No.	Part Name	Material	Finish	
			Knob	Latch
①	Latch Body	Polyamide	Satin Brass (SB) Satin Nickel (SN) Polished Brass (PB) Chrome (CR)	White
②	Push Button	Brass		
③	Push Button Base	Zinc Alloy		

Threaded screw	Door Thickness		Dimension X	
	Min.	Max.	Min.	Max.
L = 24	19	(3/4")	40.5	(1-19/32")
	20	(25/32")	41.5	(1-5/8")
	21	(53/64")	42.5	(1-43/64")
	22	(7/8")	43.5	(1-23/32")
	23	(29/32")	44.5	(1-3/4")
	24	(15/16")	45.5	(1-51/64")
L = 30	25	(63/64")	46.5	(1-53/64")
	26	(1-1/32")	47.5	(1-7/8")
	27	(1-1/16")	48.5	(1-29/32")
	28	(1-3/32")	49.5	(1-61/64")
	29	(1-9/64")	50.5	(1-63/64")
	30	(1-3/16")	51.5	(2-1/32")

Item No.	Part Name	Holding Force (kg)	Weight (g)	Box (pcs)	Carton (pcs)
TLP-BB/SB	Push Knob and Base	20 (44 lbs)	77	25	200
TLP-BB/SN					
TLP-BB/PB					
TLP-BB/CR					
TLP-LBM/WHT	Latch Body		33	10	100