

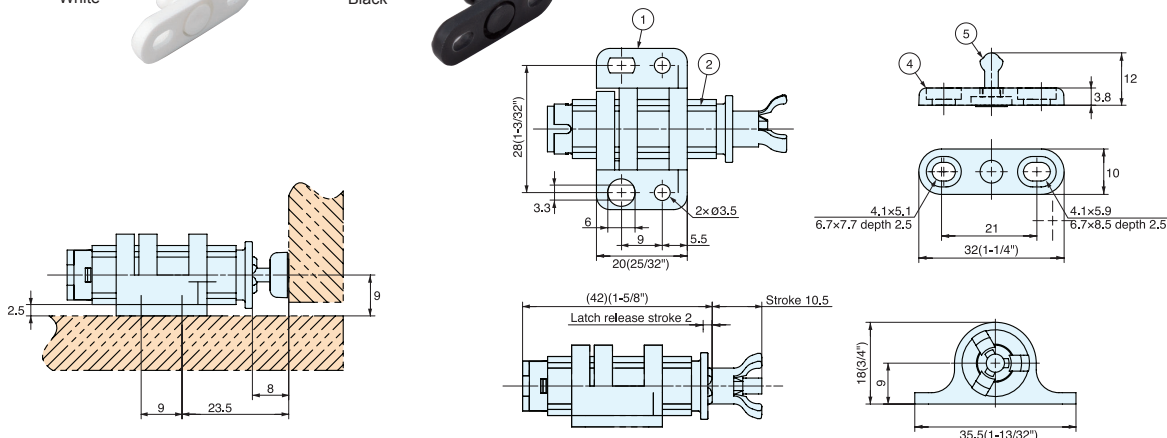
NON-MAGNETIC TOUCH LATCH MC-20



MC-20



- Easy to install and adjust.
- Push to latch/unlatch.
- Includes screws.

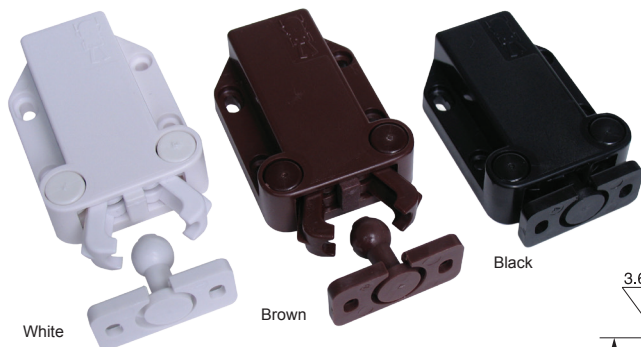


Item No.	Color	Retaining Force (kg)	Weight (g)	Box (pcs)	Carton (pcs)	No.	Part Name	Material	Finish/Color
MC-20BL	Black	4 (8.8 lbs)	6	30	600	①	Body	Polypropylene	Black (BL)
MC-20WT	White					②	Arm		White (WT)
						③	Strike		

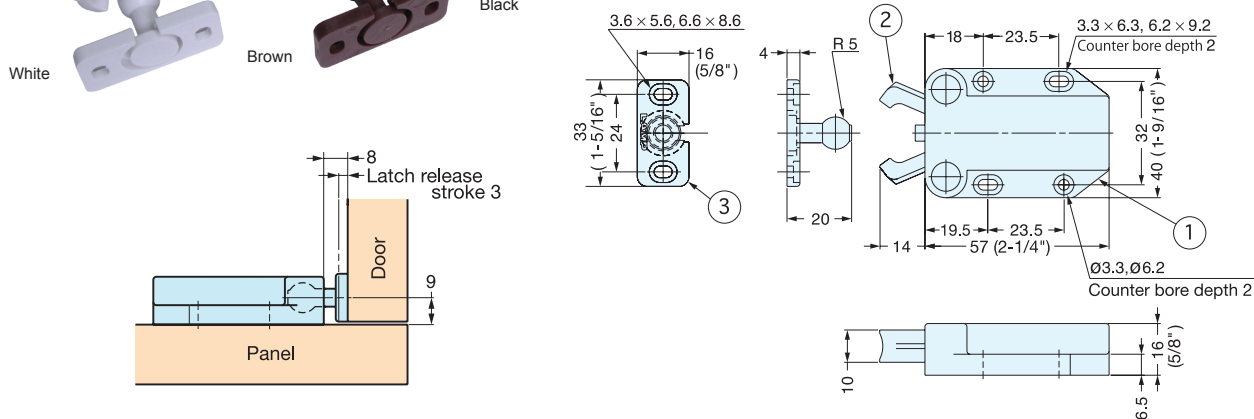
NON-MAGNETIC TOUCH LATCH MC-37



MC-37



- Push to latch/unlatch.
 - Strong retaining force.
 - Floating strike allows for easy alignment.
- Note:
- For overlay door, allow 3 mm (1/8") gap between door and cabinet frame for push space.
 - Pulling the door with excessive force without unlatching the unit may damage the mechanism.
 - Constant loading of over 4 kgf or excessive pushing or pulling is not recommended.



Item No.	Retaining Force (kg)	Weight (g)	Box (pcs)	Carton (pcs)	No.	Part Name	Material	Finish/Color
MC-37/BLK-1	8 (17.6 lbs)	24	30	300	①	Body	ABS	Black (BLK)
MC-37/BRN-1					②	Arm	Polyacetal	Brown (BRN)
MC-37/WHT-1					③	Strike	Polyamide	White (WHT)