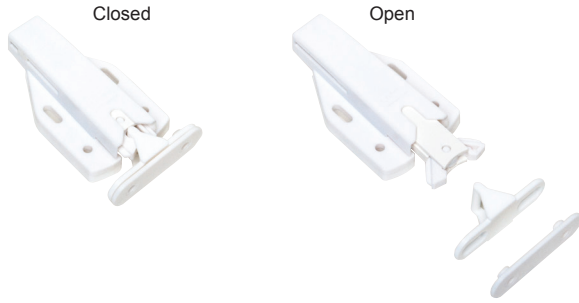


# TOUCH LATCH

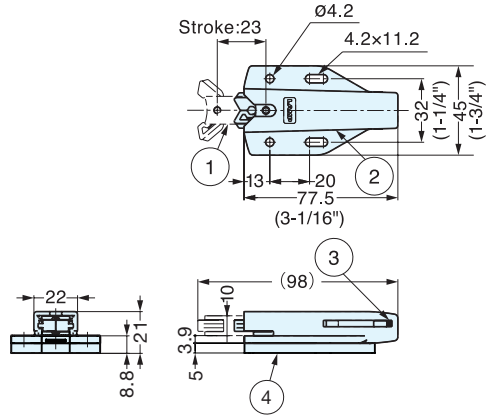
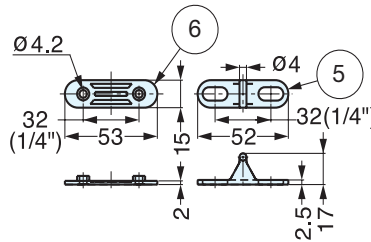
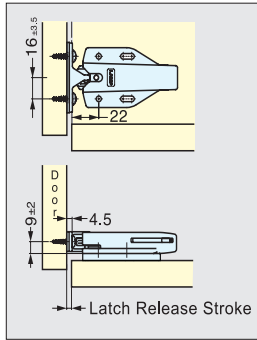


## MLC-100DS



- Self-adjusting strike plate:  
Vertical  $\pm 3/16"$  (4mm)/Horizontal  $\pm 1/8"$  (3.5 mm).
- Long stroke 23 mm (15/16"), for thick doors.
- Push to latch/unlatch.
- Non-magnetic.
- Includes spacer MLC-100-DP5-WT.

### Installation



No.	Part Name	Material	Color
①	Body 1	Reinforced Plastic (PA)	White (WT)
②	Body 2	Plastic (PBT)	
③	Spring	Steel	Trivalent Chromate
④	Spacer	Plastic (POM)	
⑤	Strike	Plastic (PBT)	White (WT)
⑥	Counterplate	Plastic (POM)	

Item No.	Retaining Force (kg)	Push out force (kg)	Weight (g)	Box (pcs)	Carton (pcs)
MLC-100DS	9.2 (20.2 lbs)	1.4 (3.1 lbs)	32	20	240

# TOUCH LATCH FOR HIGH TEMPERATURE

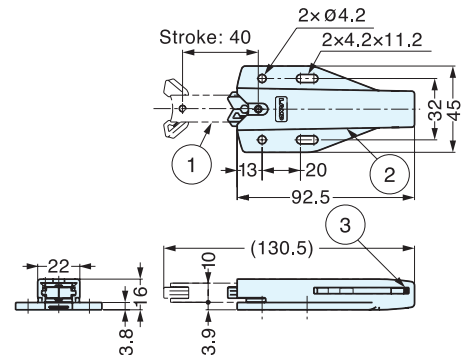
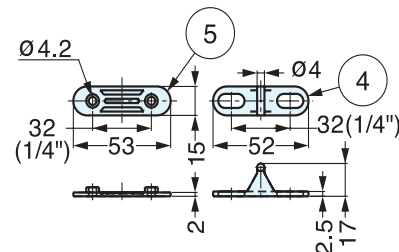
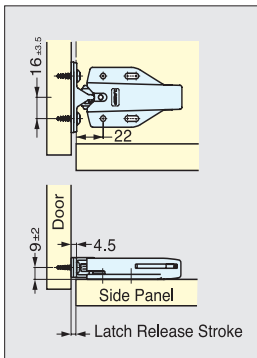


## MLC-HT130BL



- Self-adjusting strike plate:  
Vertical  $\pm 2\text{mm}$ /Horizontal  $\pm 3.5\text{ mm}$ .
- Long Stroke 40 mm (1-9/16").
- Suitable for high temperature environment up to 120°C (248°F).
- Push to latch/unlatch.
- Non-magnetic.
- Open/Close cycle test: 100,000 cycles.

### Installation



No.	Part Name	Material	Color
①	Body 1	Reinforced Plastic (PA)	Black (BL)
②	Body 2	Reinforced Plastic (PBT)	
③	Spring	304 Stainless Steel	Plain
④	Strike	Reinforced Plastic (PA)	Black (BL)
⑤	Counterplate	Reinforced Plastic (PBT)	

Item No.	Retaining Force (kg)	Push out force (kg)	Weight (g)	Box (pcs)	Carton (pcs)
MLC-HT130BL	12 (26.4 lbs)	1.7 (3.7 lbs)	40	20	240