

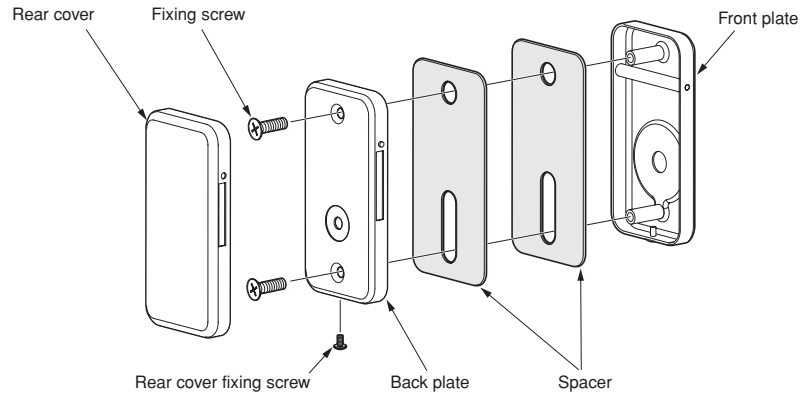
LAMP® LAMP XL-MT120-U01/02 Strike Case for Glass Door Latch PAT Installation Instructions

Please read this instruction sheet carefully for proper installation and operation. Incorrect installation and improper use of the product may cause damage to the unit, and also cause injury. This instruction sheet should be kept by the user after installation.

Parts Make sure that the correct parts have been provided. The model number is XL-MT120-U02 (left hand use). XL-MT120-U01 (right hand use) is also available.

Caution
This product is trial fitted. Please disassemble before installation.

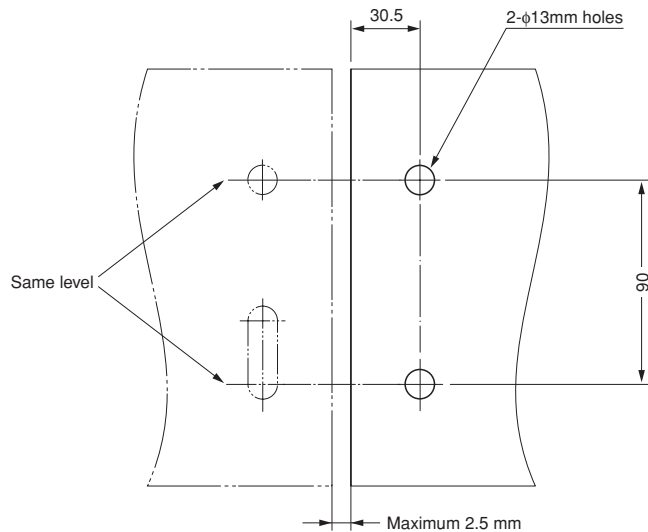
Applicable glass thickness: 10-13 mm



Cutout Drawing Referring to the below drawing, make cuts for the strike so that it becomes at the same level as the cuts for the glass door latch. For the cutout drawing of the glass door latch, refer to the installation manual of the glass door latch (XL-MT120-H).

Cutout drawing for the latch

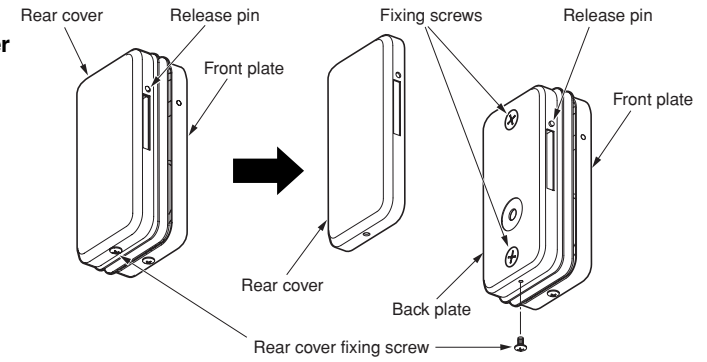
Cutout drawing of the strike



Installation Procedure

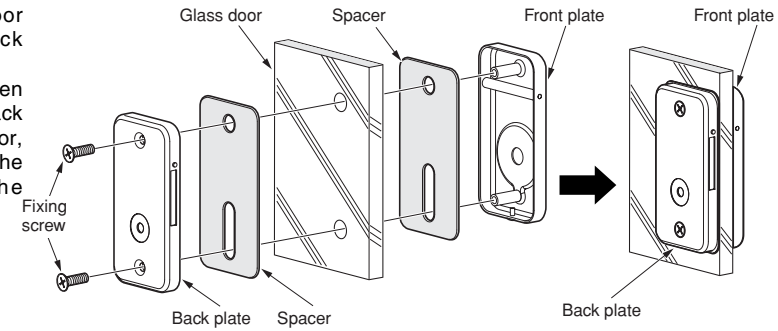
Step 1. Remove the rear cover

1. Unscrew the rear cover fixing screw at the bottom of the cover.
2. Push the release pins at both sides of the rear cover in, one pin at a time, and remove the rear cover.
3. Separate the front and back plates from each other by unscrewing the fixing screws of the back plate.



Step 2. Attach the strike case to the door

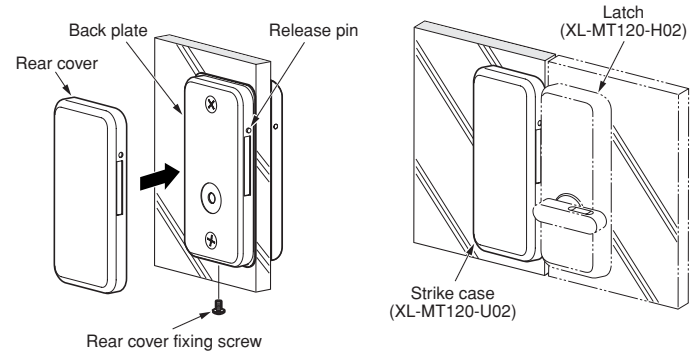
1. Sandwich the glass door with the front and back plates.
2. Insert the spacer between each of the front and back plates and the glass door, fix the strike case with the fixing screws from the back plate side.



Step 3. Attach the rear cover Reverse procedure to remove the rear cover.

1. Attach the rear cover to the back plate. Be sure to set it one side at a time, pushing the release pin in.
2. Tighten the rear cover fixing screw from the bottom. The figure to the right shows a glass door latch with the hook latched.

Caution
After fixing the rear cover, make sure that the release pin has become in original position.



For Overseas Customers
SUGATSUNE KOGYO CO., LTD.
1-8-11 Higashikanda, Chiyoda-ku,
Tokyo 101-8633, Japan
TEL:+81-3-3866-2260 FAX:+81-3-3866-4447
http://www.sugatsune.co.jp
E-mail : export@sugatsune.co.jp
ISO9001(JSAQ384) · ISO14001(JSAE597) CERTIFICATE

For North American Customers
SUGATSUNE AMERICA, INC.
221 East Selandia Lane,
Carson, CA 90746, U.S.A.
TEL:+1-310-329-6373 FAX:+1-310-329-0819
TOLL FREE:(800) 562-5267 (from U.S.A & Canada only)
http://www.sugatsune.com
E-mail : sales@sugatsune.com