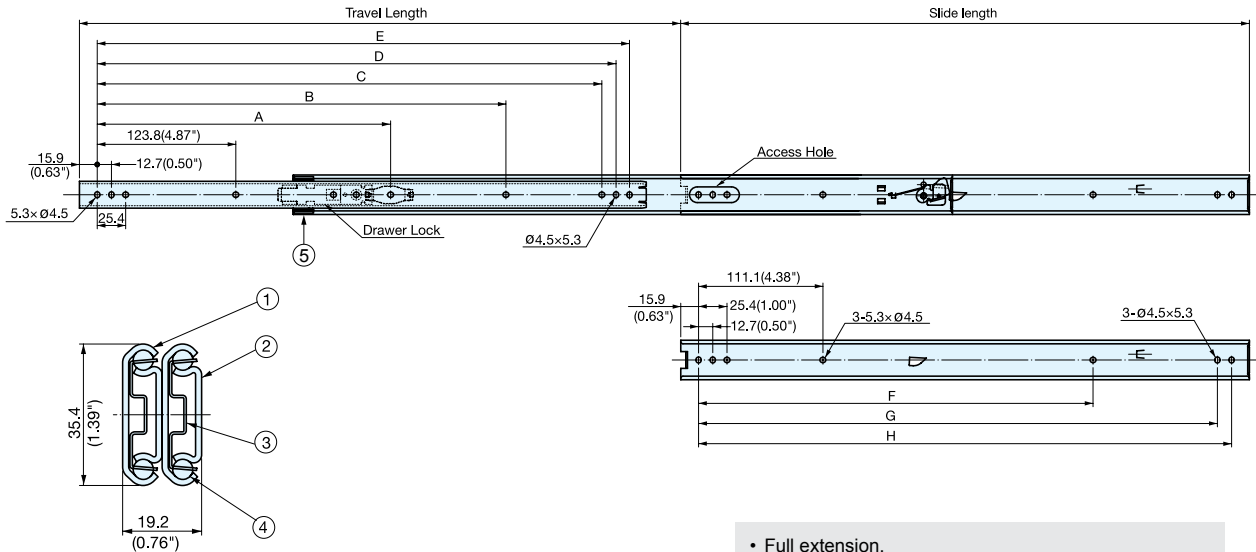


# ESR-7

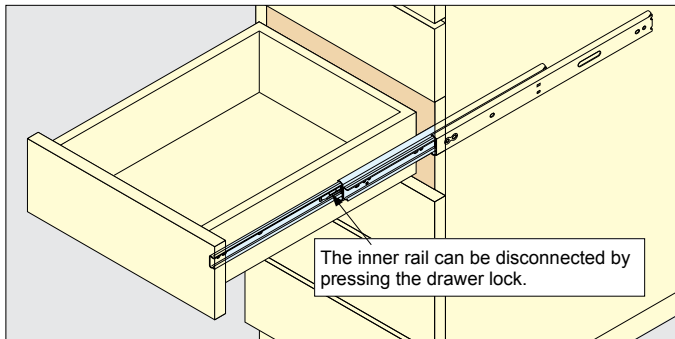
## STAINLESS STEEL DRAWER SLIDE

### THREE MEMBER FULL EXTENSION

### FRONT DISCONNECT POSITIVE STOP



- Full extension.
  - Front disconnect.
  - Positive lock.
  - Non-handed.
- \* Mount with M4 or #8 Binding, Pan, or Truss head screws.



25.4 mm=1"

No.	Part	Material
①	Outer Rail	304 Stainless Steel
②	Inner Rail	
③	Retainer	
④	Balls	
⑤	Guide Block	Polyacetal

Item No.	Slide Length	Travel Length	A	B	C	D	E	F	G	H	# of Holes Inner Rail	Outer Rail	Load Rating (kg/pair)	Weight (g)	Box (pcs)
ESR-7-12	304.8 (12")	336 (13-7/32")	-	-	-	260.3	273	-	260.3	273	5	6	64 (139 lbs)	640	16
ESR-7-14	355.6 (14")	386.8 (15-7/32")	-	-	-	311.1	323.8	-	311.1	323.8	6	6	60 (131 lbs)	740	
ESR-7-16	406.4 (16")	437.6 (17-7/32")	-	-	349.2	361.9	374.6	250.8	361.9	374.6	6	6	57 (124 lbs)	840	
ESR-7-18	457.2 (18")	488.4 (19-7/32")	212.7	-	400	412.7	425.4	301.6	412.7	425.4	7	6	53 (115 lbs)	950	
ESR-7-20	508 (20")	539.2 (21-7/32")	238.1	-	450.8	463.5	476.2	352.4	463.5	476.2	7	6	49 (106 lbs)	1030	
ESR-7-22	558.8 (22")	590 (23-7/32")	263.5	415.9	501.6	514.3	527	403.2	514.3	527	7	7	45 (99 lbs)	1150	
ESR-7-24	609.6 (24")	640.8 (25-7/32")	288.9	466.7	552.4	565.1	577.8	454	565.1	577.8	8	7	42 (92 lbs)	1280	
ESR-7-26	660.4 (26")	691.6 (27-7/32")	314.3	517.5	603.2	615.9	628.6	504.8	615.9	628.6	8	7	39 (85 lbs)	1400	
ESR-7-28	711.2 (28")	742.4 (29-7/32")	339.7	568.3	654	666.7	679.4	555.6	666.7	679.4	8	7	36 (79 lbs)	1500	

## MOUNTING INSTRUCTIONS

1. Separate the drawer and cabinet member by pressing the drawer lock and firmly pulling through the friction resistance.
2. Mount the outer rails to the cabinet by positioning the front end (where the plastic member is located) to the front edge of the cabinet. If the drawer is to be mounted flush with the cabinet, please allow space for the thickness of the drawer face when installing outer rails.
3. Mount the inner rails to the drawer by positioning the front end (where the access hole is located) of the slide behind the face of the drawer.