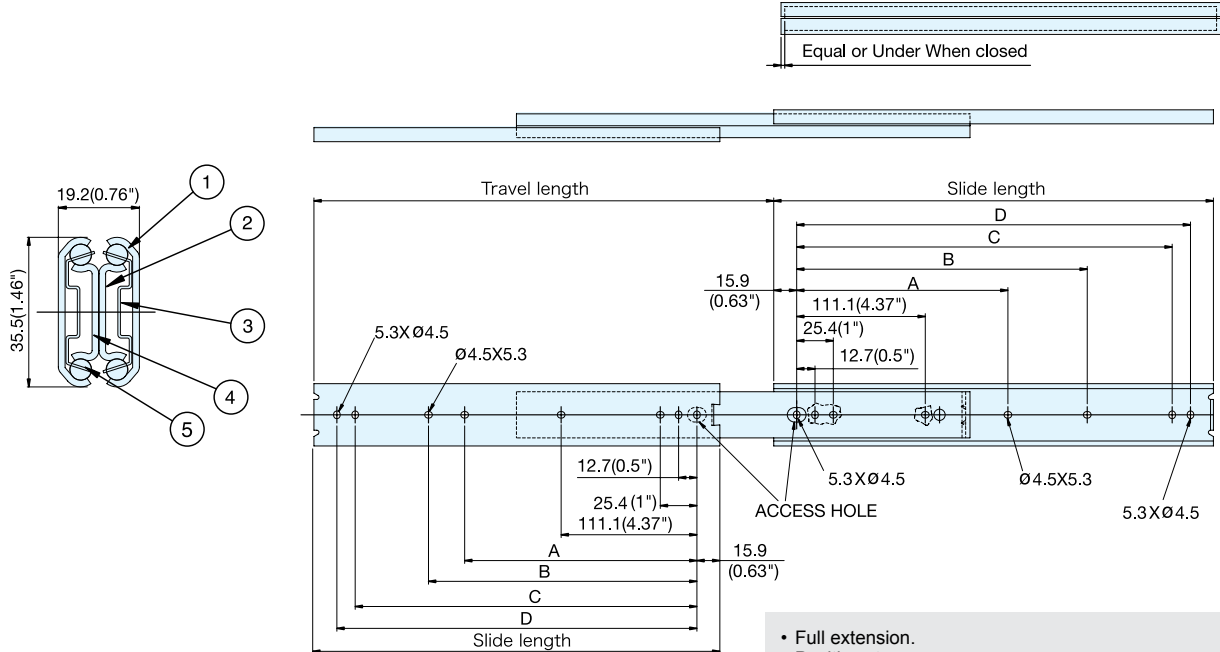
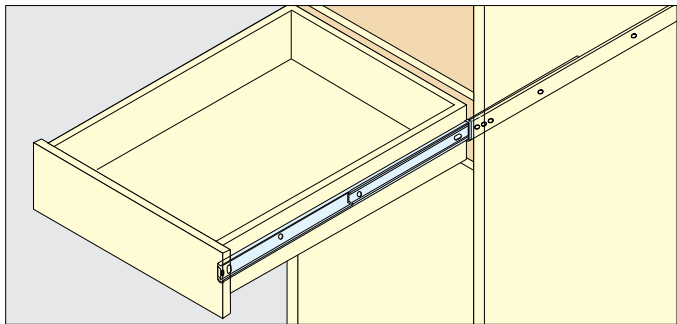


ESR-6 STAINLESS STEEL DRAWER SLIDE THREE MEMBER FULL EXTENSION POSITIVE STOP



- Full extension.
 - Positive stop.
 - Non-handed.
- * Mount with M4 or #8 Binding, Pan, or Truss head screws.



25.4 mm=1"

No.	Part	Material
①	Outer Rail	304 Stainless Steel
②	Inner Rail	
③	Retainer	
④	Intermediate Member	
⑤	Balls	

Item No.	Slide Length	Travel Length	A	B	C	D	# of Holes	Load Rating (kg/pair)	Weight (g)	Box (pcs)
							Outer Rail			
ESR-6-12	304.8 (12")	326 (12-27/32")	-	149.2	260.3	273	7	60 (132 lbs)	610	16
ESR-6-14	355.6 (14")	377 (14-27/32")		200	311.1	323.8		59 (130 lbs)	710	
ESR-6-16	406.4 (16")	428 (16-27/32")		250.8	361.9	374.6		57 (126 lbs)	810	
ESR-6-18	457.2 (18")	479 (18-55/64")	212.7	301.6	412.7	425.4	56 (123 lbs)	920		
ESR-6-20	508 (20")	529 (20-53/64")	238.1	352.4	463.5	476.2	53 (117 lbs)	980		
ESR-6-22	558.8 (22")	580 (22-27/32")	263.5	403.2	514.3	527	51 (112 lbs)	1120		
ESR-6-24	609.6 (24")	631 (24-27/32")	288.9	454	565.1	577.8	49 (108 lbs)	1230		
ESR-6-26	660.4 (26")	682 (26-26/32")	314.3	504.8	615.9	628.6	47 (104 lbs)	1330		
ESR-6-28	711.2 (28")	732 (28-13/16")	339.7	555.6	666.7	679.4	45 (99 lbs)	1440		

MOUNTING INSTRUCTIONS

1. Position front edge of the drawer slide's cabinet member to meet the rear of the front panel of drawer when the drawer is in the closed position. Draw a line for the slide when it is level, then fully extend the slide to mark the screw location to both cabinet and drawer. Make sure that the position of the slide is at the front edge to meet the rear of the front panel of drawer.
2. Attach the slide to the cabinet using the marks made for the screw holes on both sides of the cabinet.
3. Attach the slide to the drawer at the previously marked spots. If a retainer or rail covers a screw hole, slide rail until you see an access hole.