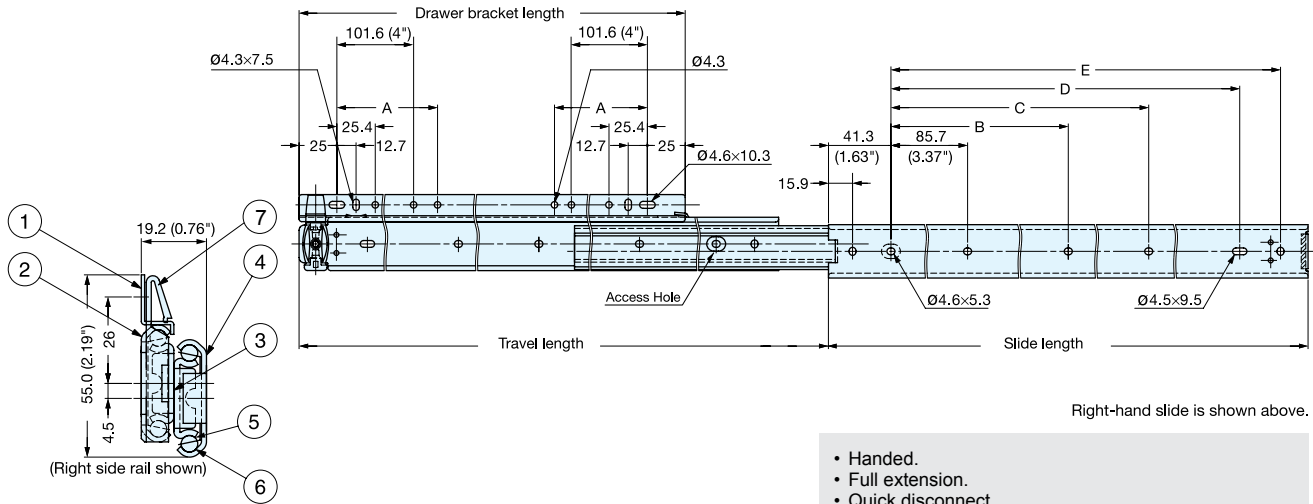


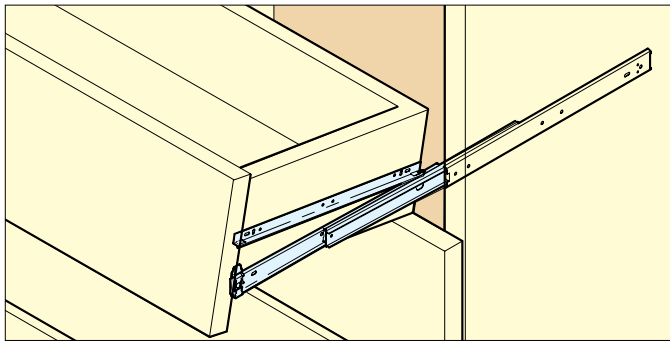
ESR-3 STAINLESS STEEL DRAWER SLIDE THREE MEMBER FULL EXTENSION QUICK DISCONNECT DRAWER RAIL



Right-hand slide is shown above.

- Handed.
- Full extension.
- Quick disconnect.
- Positive stop.
- * Sold in pairs.
- * Mount with M4 or #8 Binding, Pan, or Truss head screws.

25.4 mm=1"



No.	Part	Material
①	Drawer Bracket	304 Stainless Steel
②	Inner Rail	
③	Intermediate Member	
④	Outer Rail	
⑤	Retainer	
⑥	Balls	Plastic
⑦	Disconnect Lever	

Item No.	Slide Length	Travel Length	Drawer Bracket Length	A	B	C	D	E	#of Holes Outer Rail	Load Rating (kg/pair)	Weight (g)	Box (Pair)
ESR-3-12	304.8 (12")	348.4 (13-23/32")	273 (10-3/4")	177.8	-	123.1	218.3	245.3	6	65 (143 lbs)	680	6
ESR-3-14	355.6 (14")	399.2 (15-23/32")	273 (10-3/4")			173.9	269.1	296.1		61 (134 lbs)	780	
ESR-3-16	406.4 (16")	450 (17-23/32")	375 (14-49/64")			224.7	319.9	346.9		61 (134 lbs)	910	
ESR-3-18	457.2 (18")	500.8 (19-23/32")	375 (14-49/64")		187.3	275.5	370.7	397.7	56 (123 lbs)	1010		
ESR-3-20	508 (20")	551.6 (21-23/32")	375 (14-49/64")		212.7	326.3	421.5	448.5	52 (114 lbs)	1110		
ESR-3-22	558.8 (22")	602.4 (23-23/32")	527 (20-3/4")		238.1	377.1	472.3	499.3	52 (114 lbs)	1260		
ESR-3-24	609.6 (24")	653.2 (25-23/32")	527 (20-3/4")		263.5	427.9	523.1	550.1	48 (105 lbs)	1370		
ESR-3-26	660.4 (26")	704 (27-23/32")	575.3 (22-21/32")		288.9	478.7	573.9	600.9	43 (94 lbs)	1480		
ESR-3-28	711.2 (28")	754.8 (29-23/32")	575.3 (22-21/32")		314.3	529.5	624.7	651.7	43 (94 lbs)	1580		

MOUNTING INSTRUCTIONS

1. Extend the slide to the open position for access to the screw holes. Position the slide to the front edge of the cabinet. Mount the slide to the cabinet without the drawer bracket. If you have recessed drawers, please allow space for the drawer face.
2. Mount the drawer bracket by on the drawer by positioning the rails flush to the back of the drawer face. Make sure that the slotted side is mounted towards the front of the drawer.
3. Install the drawer by fully extending the slide, then slide on the drawer. Make sure that the rear portion of the drawer bracket hooks into the drawer slide and the front portion of the drawer bracket locks into place.
4. To remove the drawer, depress both plastic locks located on the slide and lift off.

Sugatsune America, Inc.

18101 Savarona Way Carson, CA 90746

Tel 310-329-6373 Fax 310-329-0819

www.sugatsune.com