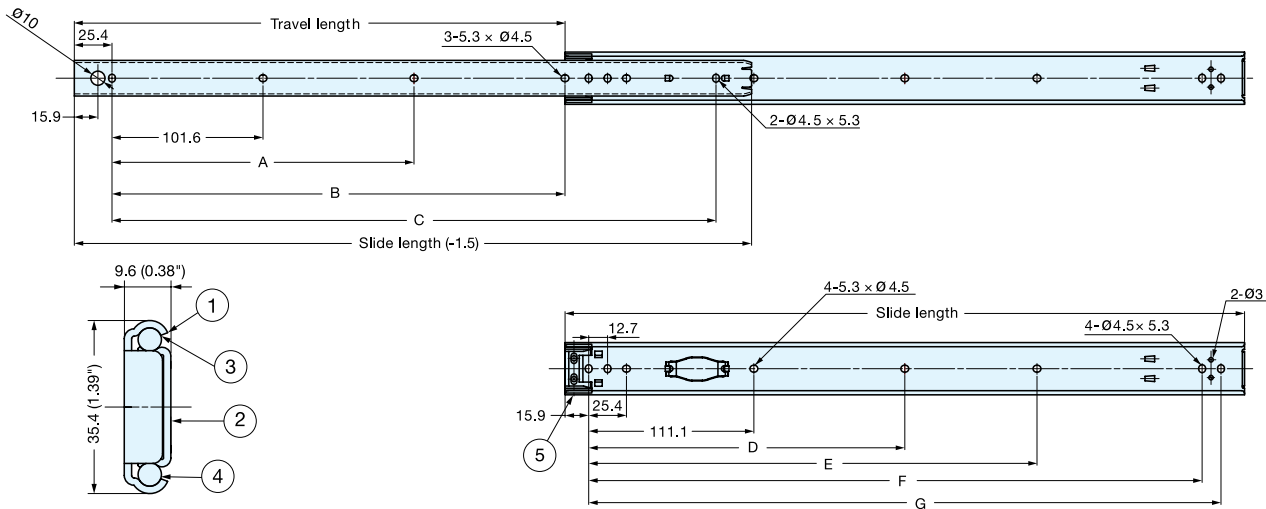


# ESR-1 STAINLESS STEEL DRAWER SLIDE TWO MEMBER 3/4 EXTENSION FRONT DISCONNECT FRICTION BRAKE STOP



25.4 mm=1"

- 3/4 extension.
- Front disconnect.
- Friction brake stop.
- Non-handed.

\* Mount with M4 or #8 Binding, Pan, or Truss head screws.

No.	Part	Material
①	Outer Rail	304 Stainless Steel
②	Inner Rail	
③	Retainer	
④	Balls	
⑤	Guide Block	Polycetal

Item No.	Slide Length	Travel Length	A	B	C	D	E	F	G	# of Holes		Load Rating (kg/pair)	Weight (g)
										Inner Rail	Outer Rail		
ESR-1-12	304.8 (12")	228.6 ( 9")	-	152.4	254	-	149.2	260.3	273	4	7	49 (107 lbs)	300
ESR-1-14	355.6 (14")	279.4 (11")	-	203.2	304.8	-	200	311.1	323.8	4	7	47 (103 lbs)	360
ESR-1-16	406.4 (16")	304.8 (12")	-	254	355.6	-	250.8	361.9	374.6	4	7	43 ( 94 lbs )	420
ESR-1-18	457.2 (18")	330.2 (13")	203.2	304.8	406.4	212.7	301.6	412.7	425.4	5	8	41 ( 90 lbs )	460
ESR-1-20	508 ( 20")	381 ( 15")	228.6	355.6	457.2	238.1	352.4	463.5	476.2			37 ( 81 lbs )	490
ESR-1-22	558.8 (22")	406.4 (16")	254	406.4	508	263.5	403.2	514.3	527			34 ( 74 lbs )	560
ESR-1-24	609.6 (24")	432.8 (17")	279.4	457.2	558.8	288.9	454	565.1	577.8			30 ( 66 lbs )	590
ESR-1-26	660.4 (26")	482.6 (19")	304.8	508	609.6	314.3	504.8	615.9	628.6			27 ( 59 lbs )	660
ESR-1-28	711.2 (28")	508 ( 20")	330.2	558.8	660.4	339.7	555.6	666.7	679.4			25 ( 55 lbs )	690

## MOUNTING INSTRUCTIONS

1. Separate the drawer and cabinet member by pulling firmly through the friction resistance.
2. Mount the outer rails to the cabinet by positioning the front end (where the plastic member is located) to the front edge of the cabinet. If the drawer is to be mounted flush with the cabinet, please allow space for the thickness of the drawer face when installing outer rails.
3. Mount the inner rails to the drawer by positioning the front end (where the access hole is located) of the slide behind the face of the drawer.

**Sugatsune America, Inc.**  
18101 Savarona Way Carson, CA 90746  
Tel 310-329-6373 Fax 310-329-0819  
www.sugatsune.com