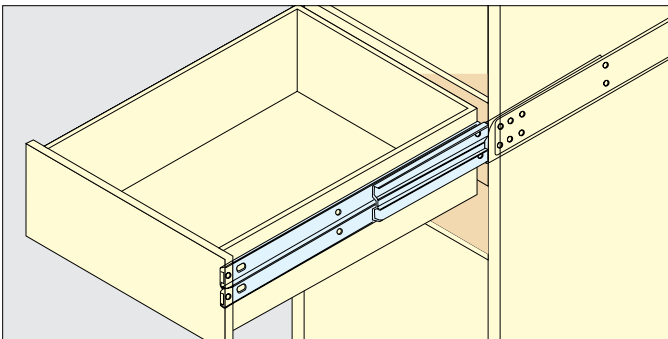
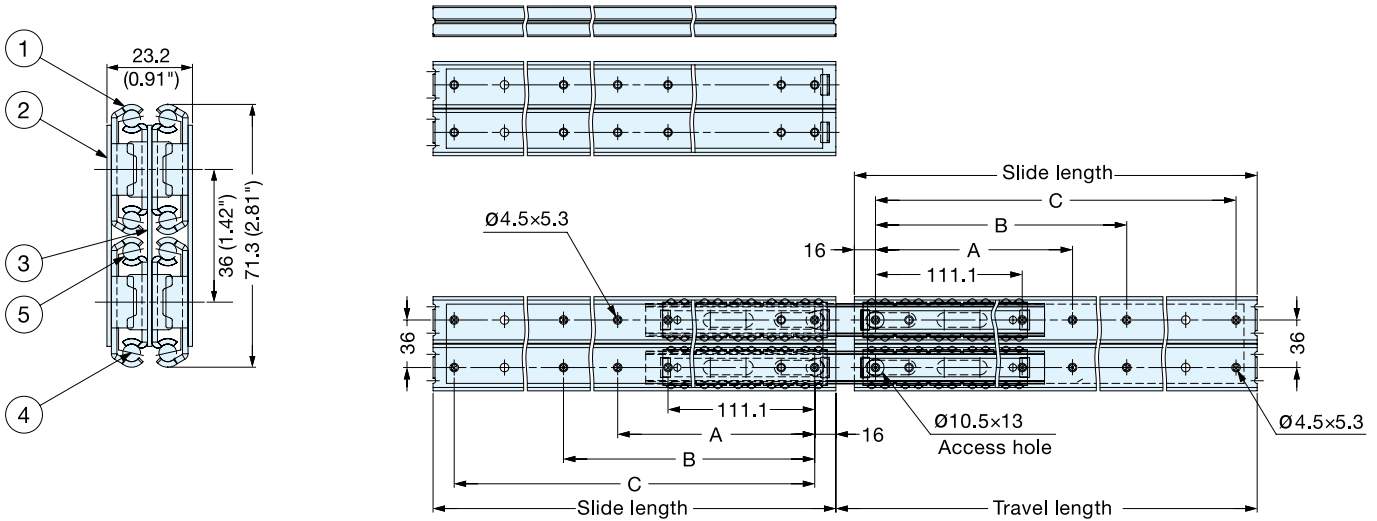


ESR-10

STAINLESS STEEL DRAWER SLIDE

THREE MEMBER FULL EXTENSION

POSITIVE STOP



- Full extension.
 - Positive stop.
 - Non-handed.
 - Heavy duty.
- * Mount with M4 or #8 Binding, Pan, or Truss head screws.

25.4 mm=1"

No.	Part	Material
①	Outer Rail	304 Stainless Steel
②	Tie Plate	
③	Intermediate Member	
④	Retainer	
⑤	Balls	

Item No.	Slide Length	Travel Length	A	B	C	# of Holes	Load Rating (kg/pair)	Weight (g)	Box (pcs)
ESR-10-12	305 (12")	319 (12-9/16")	-	149.2	273	16	272 (599 lbs)	1670	8
ESR-10-14	355.8 (14")	369.8 (14-9/16")		200	323.8		268 (590 lbs)	2000	
ESR-10-16	406.6 (16")	420.6 (16-9/16")		250.8	374.6		259 (570 lbs)	2340	
ESR-10-18	457.4 (18")	471.4 (18-9/16")	212.7	301.6	425.4	20	250 (550 lbs)	2500	6
ESR-10-20	508.2 (20")	522.2 (20-9/16")	238.1	352.4	476.2		241 (530 lbs)	2840	
ESR-10-22	559 (22")	573 (22-9/16")	263.5	403.2	527		229 (504 lbs)	3250	
ESR-10-24	609.8 (24")	623.8 (24-9/16")	288.9	454	577.8	20	216 (475 lbs)	3500	4
ESR-10-26	660.6 (26")	674.6 (26-9/16")	314.3	504.8	628.6		200 (440 lbs)	3840	
ESR-10-28	711.4 (28")	725.4 (28-9/16")	339.7	555.6	679.4		182 (400 lbs)	4170	

MOUNTING INSTRUCTIONS

1. Position front edge of the drawer slide's cabinet member to meet the rear of the front panel of drawer when the drawer is in the closed position. Draw a line for the slide when it is level, then fully extend the slide to mark the screw location to both cabinet and drawer. Make sure that the position of the slide is at the front edge to meet the rear of the front panel of drawer.
2. Attach the slide to the cabinet using the marks made for the screw holes on both sides of the cabinet.
3. Attach the slide to the drawer at the previously marked spots. If a retainer or rail covers a screw hole, slide rail until you see an access hole.

Sugatsune America, Inc.
 18101 Savarona Way Carson, CA 90746
 Tel 310-329-6373 Fax 310-329-0819
 www.sugatsune.com