



MonoFlat LIN-X hinge®

MonoFlat LIN-X600 Instruction Manual

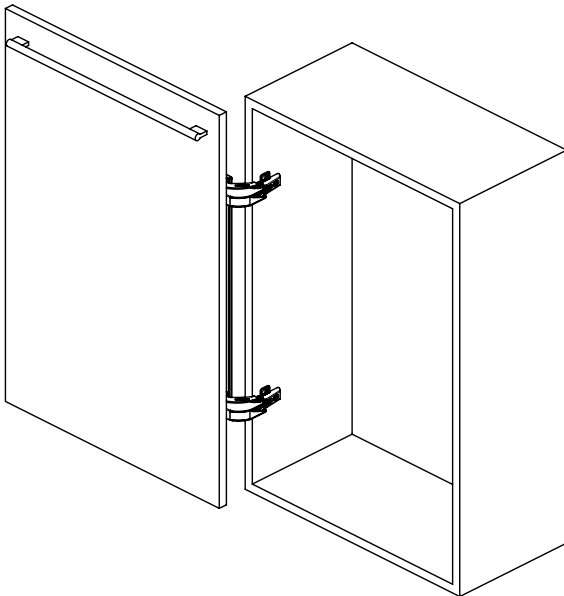
PAT.P

Thank you for purchasing this MonoFlat LIN-X hinge by SUGATSUNE. Before proceeding with the installation, please read this instruction manual carefully for the best possible result and ensure your safety.



WARNING

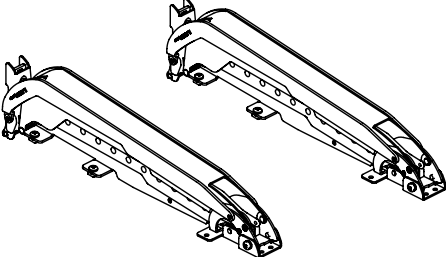
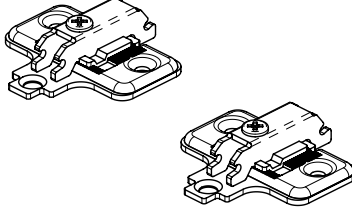
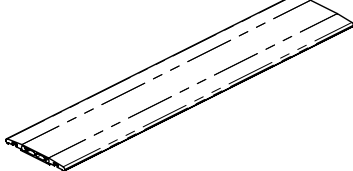
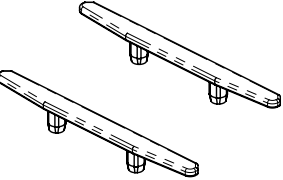
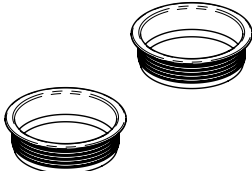
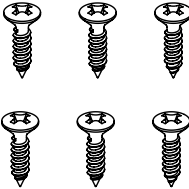
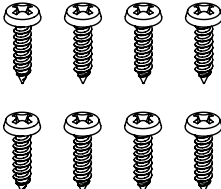
- Failure to observe the following precautions may result in injury and/or lead to damage to surrounding cabinets or fittings.
- Choose suitable screws to ensure of proper installation of the cabinet and door.
- Ensure that door size, weight and material correspond to the specifications stated in this manual.
- Do not disassemble or modify the system.



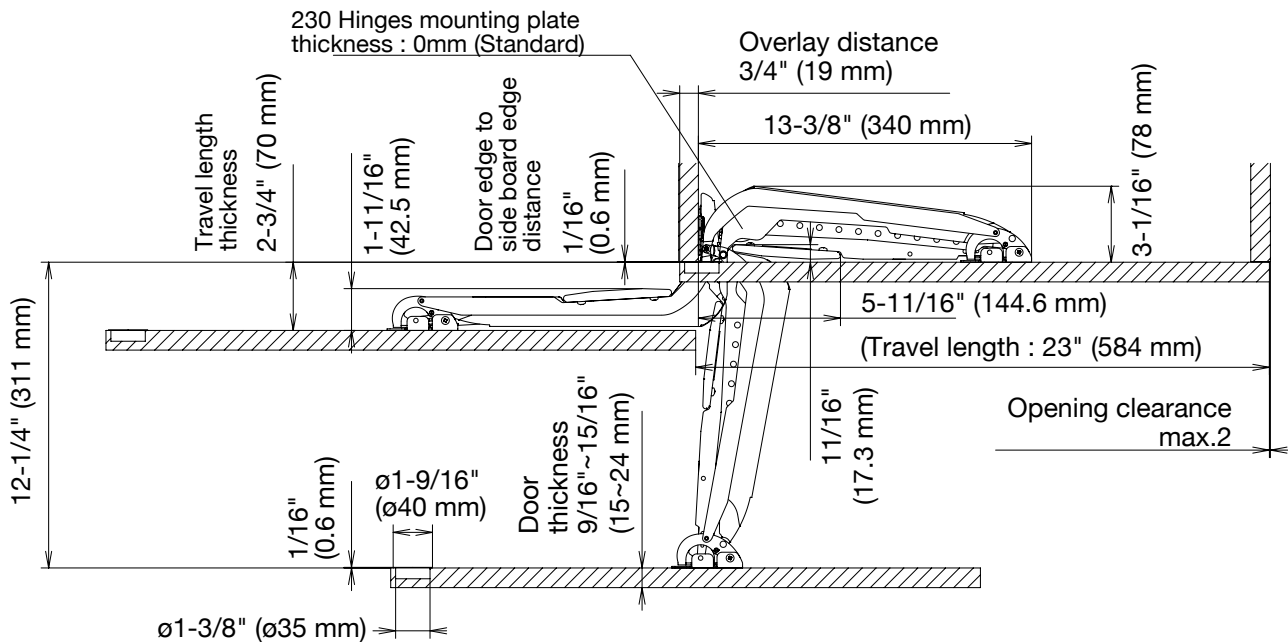
Product Specification

Door width	21-5/8" ~ 25-9/16" (550 ~ 650 mm)
Door height	23-5/8" ~ 35-7/16" (600 ~ 900 mm)
Door thickness	9/16" ~ 15/16" (15 ~ 24 mm)
Door weight	MAX 19.8 lbs (9 kg) (per door)

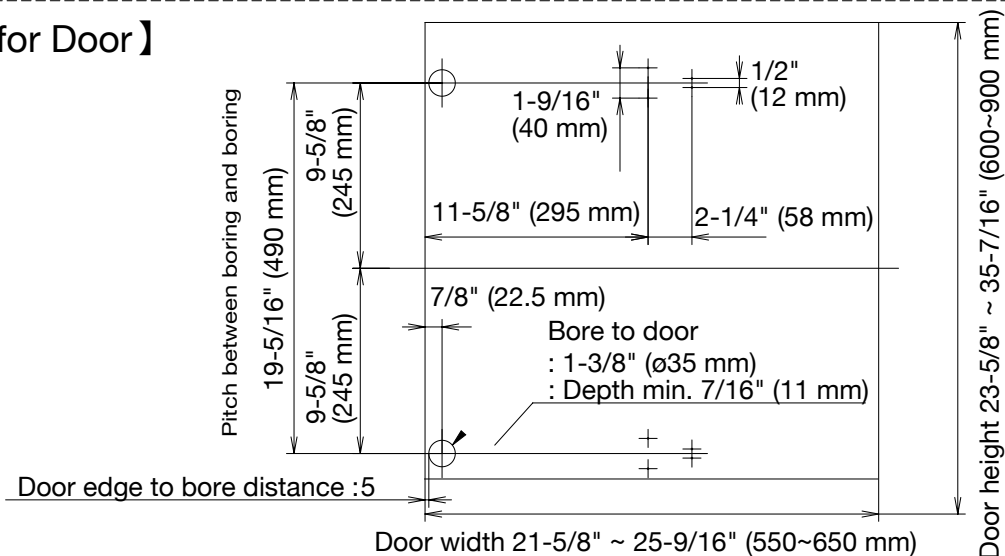
Parts List

<p>① LIN-X body 2 pcs.</p> 	<p>② Mounting plate 2 pcs.</p> 	<p>③ Connecting plate 1 pc.</p> <p>L= 21-1/4" (540 mm)</p> 	
<p>④ Connecting plate cover 2 pcs.</p> 	<p>⑤ Cup cover 2 pcs.</p> 	<p>⑥ Countersunk head tapping screw 3.5x15 6 pcs.</p> 	<p>⑦ Binding & tapping screw 3.5x15 8 pcs.</p> 

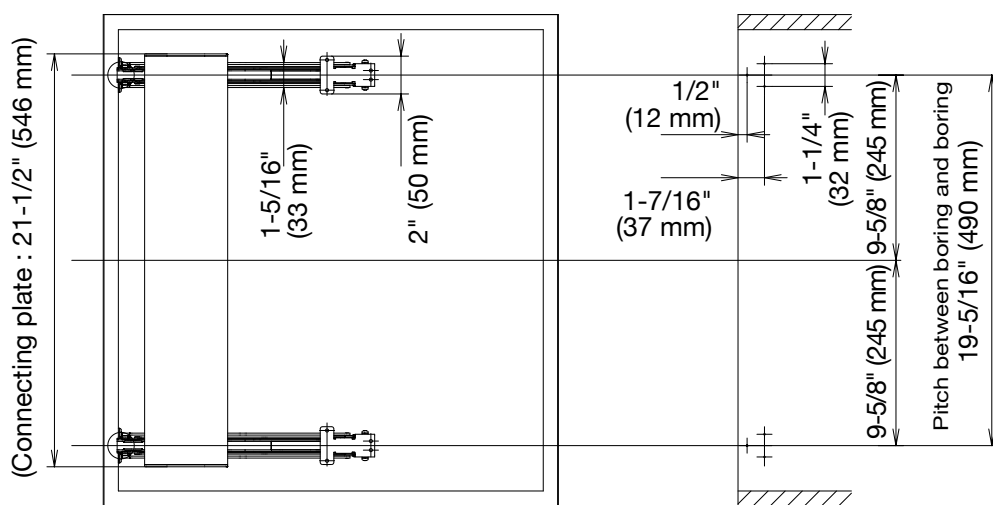
- Picture shows the left hand door use. (Right hand door use is symmetrical.) [unit:mm]



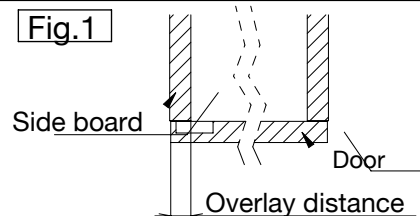
【 Installation position for Door 】



【 Installation position of mounting plate for cabinet side board 】

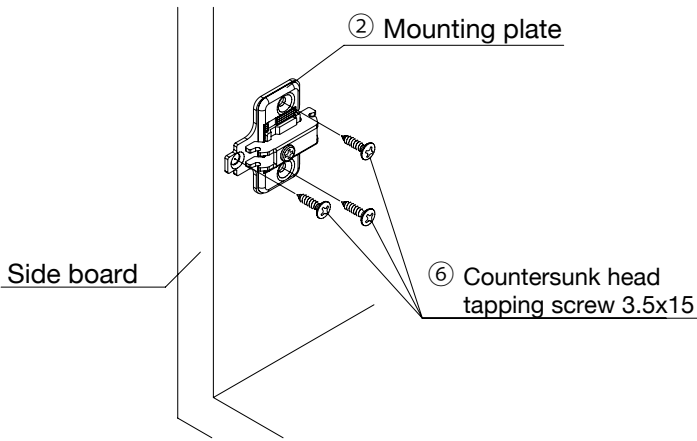


- Side overlay as shown in **Fig.1** is:
 19 mm for 230 Hinges mounting plate thickness : 0 mm (Standard)
 14 mm for 230 Hinges mounting plate thickness : 5 mm

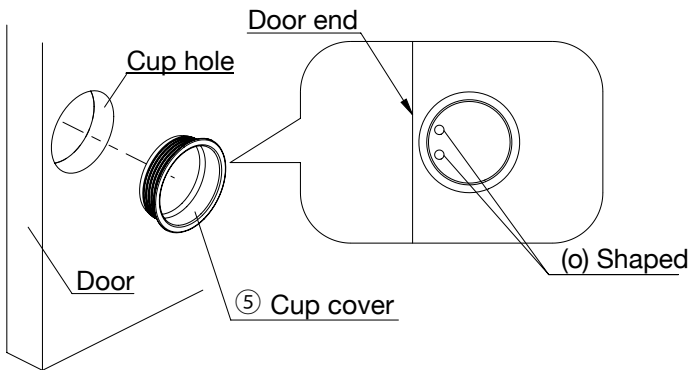


■ Installation

1 Mounting plate installation:

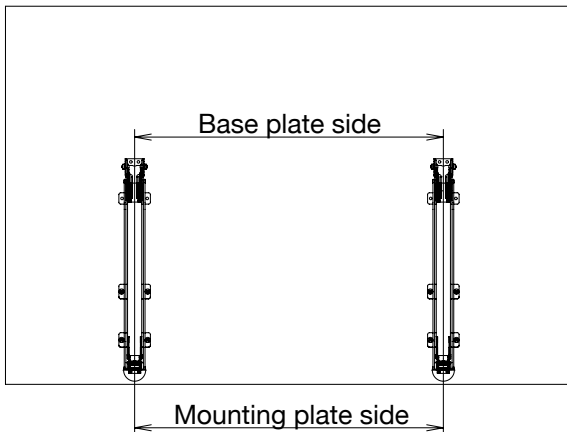
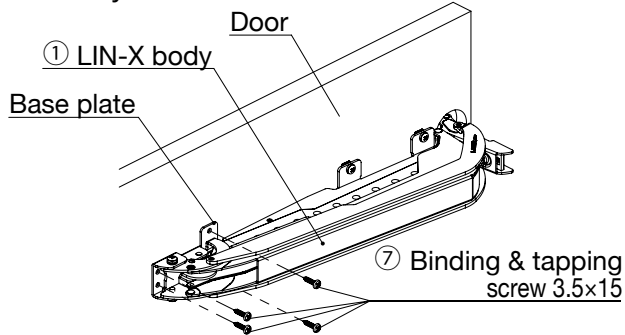


2 Cup cover installation:



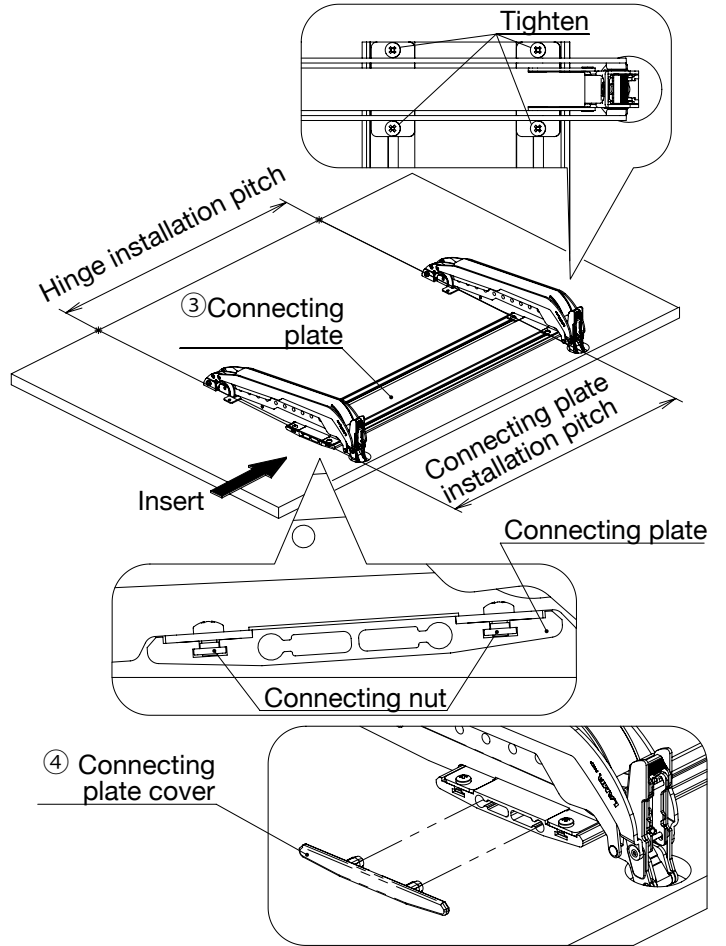
⚠ Ensure that the two (o) are pointing toward the edge of the door.

3 LIN-X body installation:

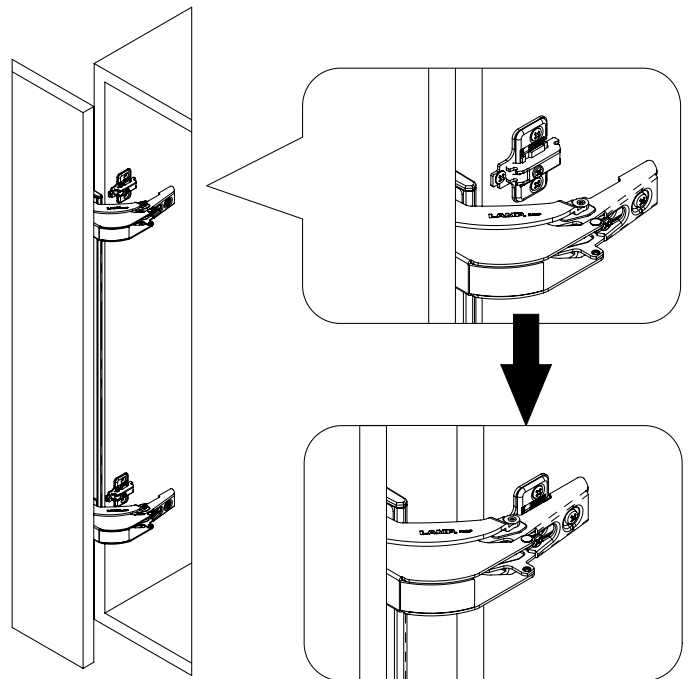


⚠ Ensure that the two LIN-X bodies are parallel by measuring both the base and mounting plate distances.

4 Connecting plate installation:

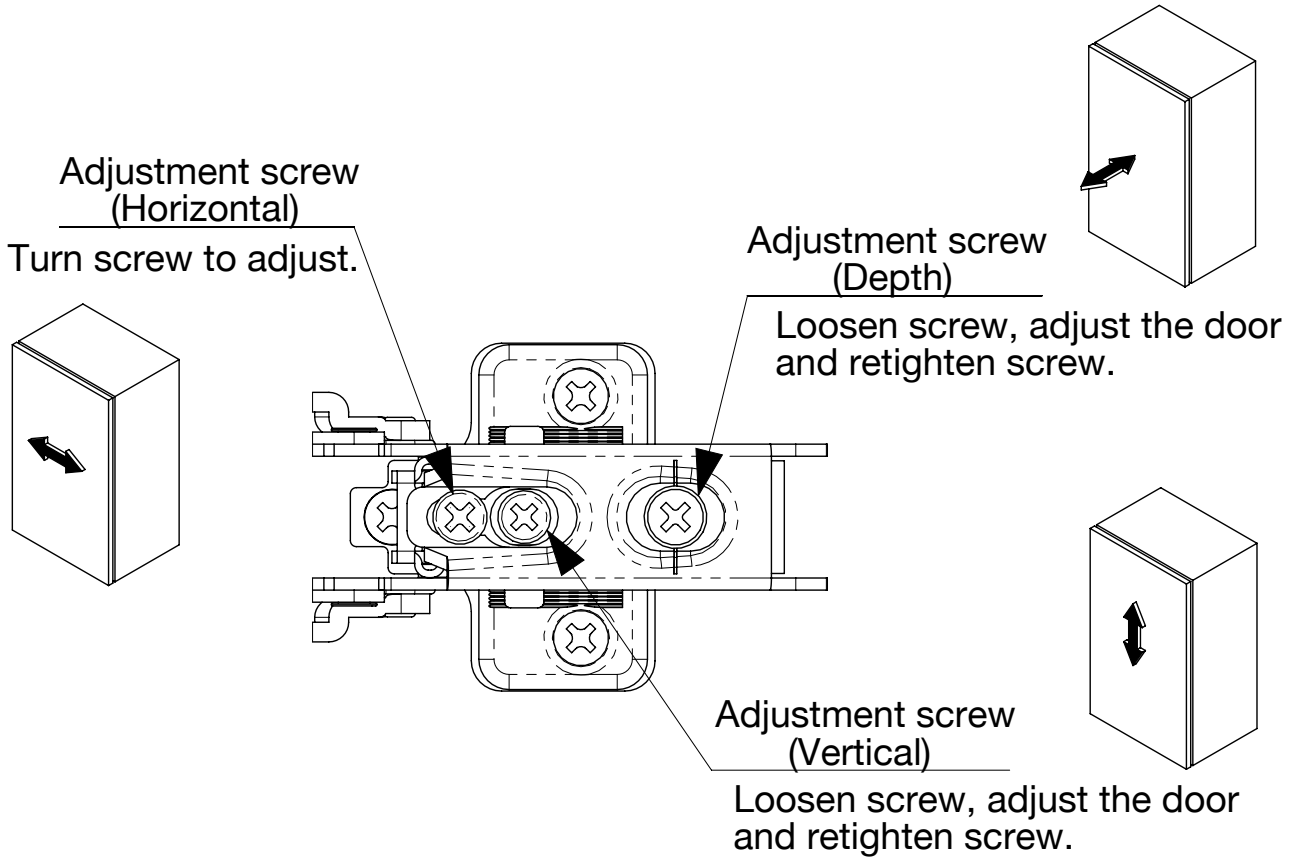


5 Door installation:



⚠ Ensure that the LIN-X body is securely attached to the mounting plates.

■ Adjustments



Leveling adjustment screw Front

