

LDD-V(Lapcon Door Damper) Installation Instructions

Please read this manual and follow the instructions carefully for best result for your installation

!CAUTIONS

- This product is for indoor use only. Do not use in locations where it is in direct contact with water.
- This damper effectiveness maybe lessened when use in an environment subject to strong drafts.
- This damper may not be able to slow down the door if it is closed with excessive force.
- Despite extensive in-house testing , we recommend that you test your installation for proper interaction between the hinge and the LDD damper.
- The LDD may not pull the door completely closed when using an overly hard latch.

■Parts list

- Door damper main unit : 1
- Counter plate : 1
- Counter plate cover : 1
- Installation manual (this manual) : 1
- Cross-recessed binding head tapping screw (nominal 4×45) : 2
- Cross-recessed binding head tapping screw (nominal 3.5×15) : 2
- Cutout template (door side, frame side) : 1

■Item number

Order Code	Item No.	Type
270-017-563	LDD-V-L	Left handed opening
270-017-564	LDD-V-R	Right handed opening

■Product functions and features

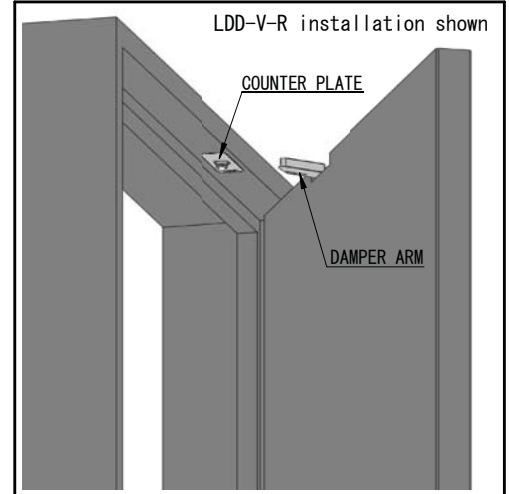
- The LDD is a concealed door damper. Its basic function is to slow down the door, thus reducing noise caused by slamming doors, and then pull the door to its closed position.
- The damping force can be switched between strong and weak. (The factory setting for the damping force is L→Low)
- The counter plate can be adjusted in the three dimensions.
- Counter plate adjustment range : vertical±2mm, horizontal±3mm, depth±2mm

■Applicable door sizes

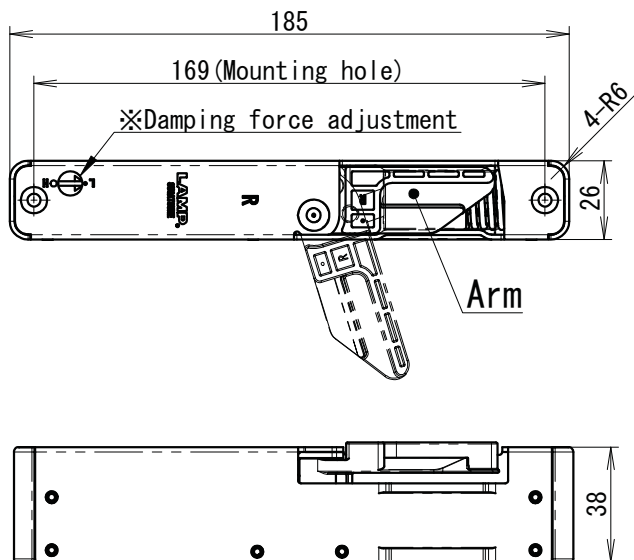
Door weight range	15-40kg (33.6-88lbs.)
Maximum door width	900mm (36")
Minimum door thickness	33mm (1-5/16")

■Name of parts

- This drawing illustrates the right-handed opening type. The left-handed opening type is symmetrically (left-right) opposite.

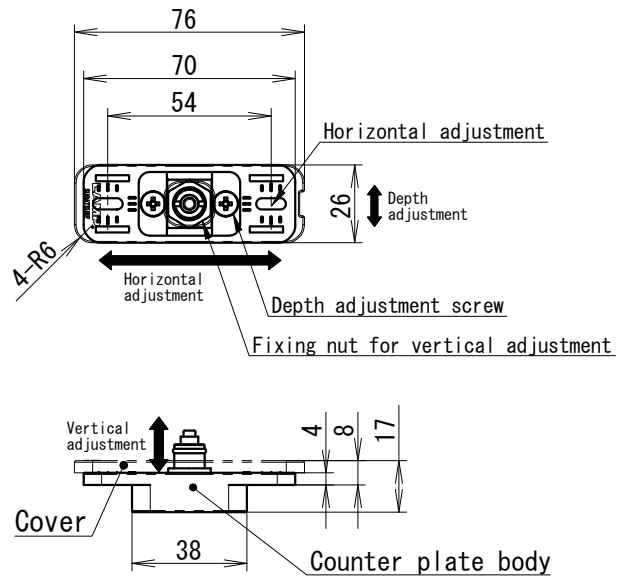


●Door damper main unit



※CAUTION : Set the adjustment screw to either H or L position, not any intermediate position.

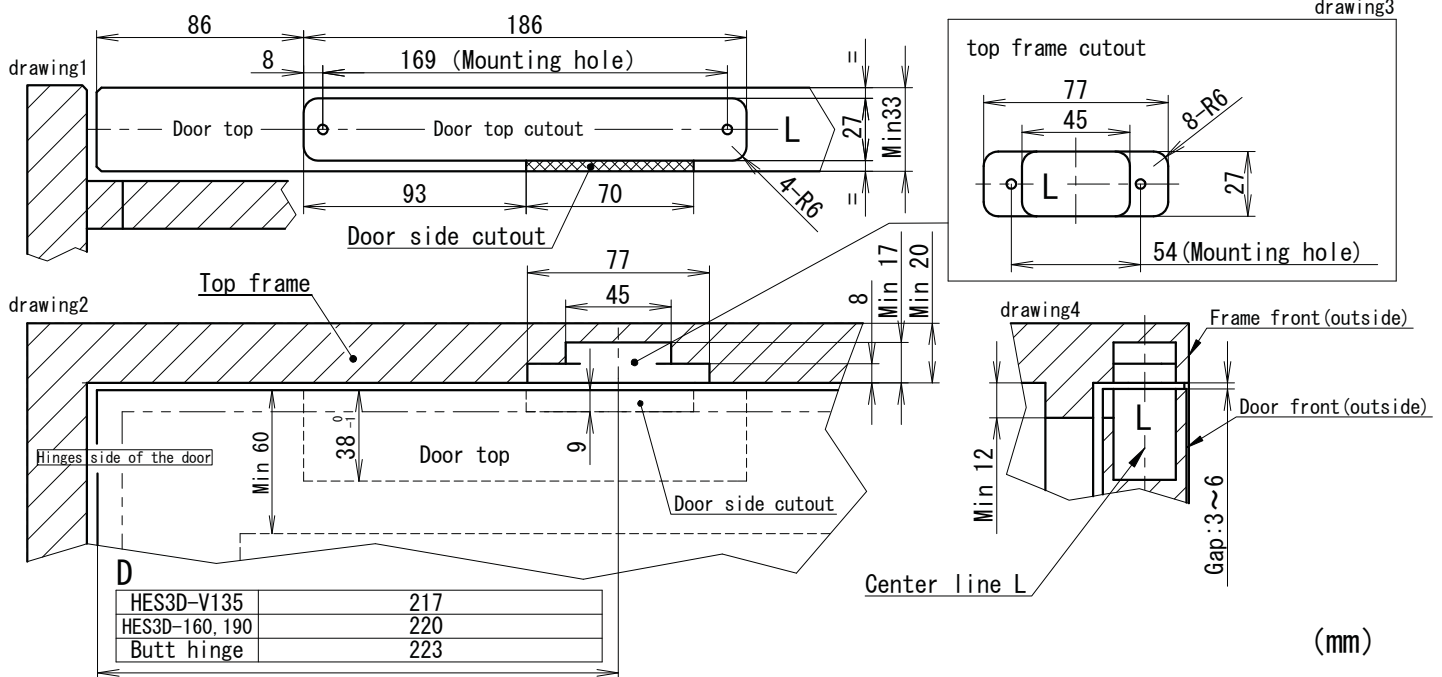
●Counter plate



(mm)

■ Cutout procedure (use of template)

• This drawing illustrates the right-handed opening type. The left-handed opening type is symmetrically (left-right) opposite.



- Separate the door template from the frame template, affix it to the top of the door and cut door accordingly. The damper body should be installed 86mm away from the hinge side of the door, and centered as to the door centerline L (drawing 1, 4).
- Affix the frame template to the top frame and cut accordingly. The center of counter plate should be installed at a distance D (drawing 2, 4) from the hinge-side frame depending on the type of hinge used. The counter plate center should be aligned with the door centerline L.

!CAUTIONS

- The damper exerts a force on the door in order to slow it down efficiently. We recommend that at least the top 60mm of the door be reinforced or made of solid wood (drawing 2).
- The LDD-V is a handed damper. Cutout differs depending on the opening. Please make sure to make the proper cutout for the damper arm to move freely.
- Damper force adjustment is possible via a screw located on top of the damper body. Please leave enough space between the door and ceiling to be able to make the adjustment.

■ Installation procedure

- Insert the damper body in the cutout made in the door and check that the arm can deploy fully. Mark the screws position and pre-drill two $\phi 2$ mm holes. Secure using screws 4x45 (Fig. 1).
- Insert the counter plate in the cutout made in the frame and secure using screws 3.5x15 (Fig. 2).

!CAUTIONS

- Fix the damper body securely. Failure to do so may result in door breakage and injury.

■ Adjustment procedure (Proceed in the order shown below)

- **Vertical adjustment** : After installing the damper body and counter plate, close the door slowly until the arm touches the shaft of the counter plate. Correct height is when the bottom of the shaft is at the same level as the lower edge of the slanted section of the arm (line on Fig. 3).
To adjust the height : ① loosen the fixing nut of the shaft, ② rotate the shaft clockwise to lower and anticlockwise to retract, ③ tighten the fixing nut while maintaining the shaft by inserting a flat screwdriver in the slit at its end.
- **Depth adjustment** : Close the door slowly and completely and reopen it slowly: the arm should extend fully. If it does not extend, proceed with depth adjustment.
To adjust depth : ① loosen the depth adjustment screws, ② move the shaft forward towards the outside of the door, ③ tighten the depth adjustment screws securely.
- **Horizontal adjustment** : Extend the arm with the door open and then close slowly until the shaft is in contact with the arm (Fig. 4). Adjust horizontally until the shaft is at the center of the arm groove.
To adjust horizontally : ① loosen horizontal adjustment screws, ② adjust the position of the counter plate left of right, ③ tighten the horizontal adjustment screws securely.

!CAUTIONS

- Make sure to fully adjust the damper before repeatedly opening and closing the door as it may damage the damper, door and frame.

■ Cover plate installation and removal

- To install the cover plate, simply clip it in place. Make sure that it is securely in place and will not fall out.
- To remove the cover plate, insert a flat screwdriver in the cover notch and remove carefully the cover.

