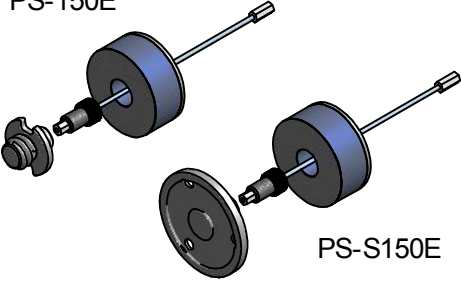
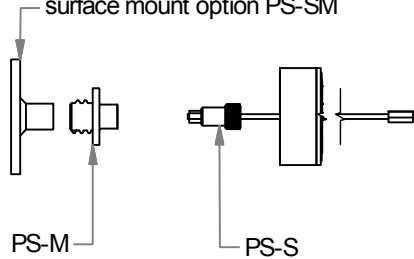
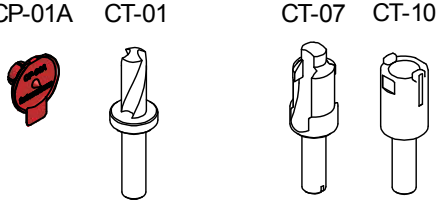
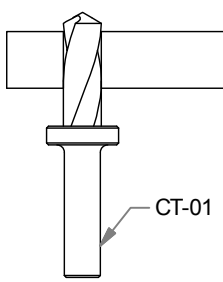


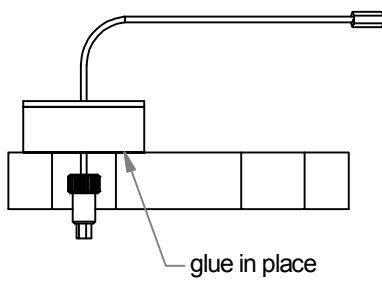
PS-150E + PS-S150E PanelSafe Easy fit restraint system

(page 1 of 2)

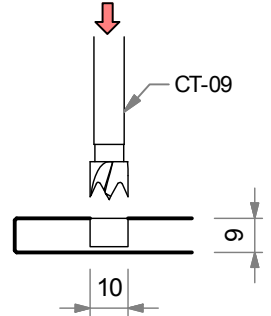
<p>PS-150E</p>  <p>PS-S150E</p>	<p>USE WITH:</p> <p>surface mount option PS-SM</p>  <p>PS-M PS-S</p>	<p>INSTALL WITH:</p> <p>CP-01A CT-01 CT-07 CT-10</p> 
<p>INSTALLATION STEPS (see reverse for more details) Refer to product sheets PS-150E & PSS150E for more information</p>		

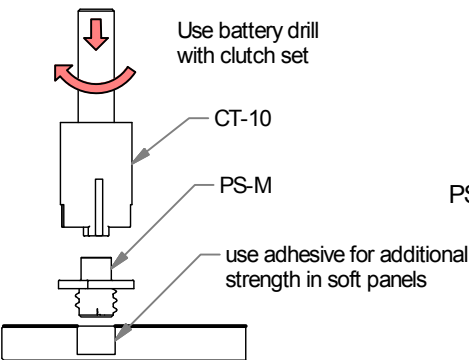
- 1** Drill hole through suport frame


- 2** Fit panelsafe in 10Ø to 16.8Ø hole


- 3** Self tapping screw in option

Drill panel on center mark 7.5mm deep

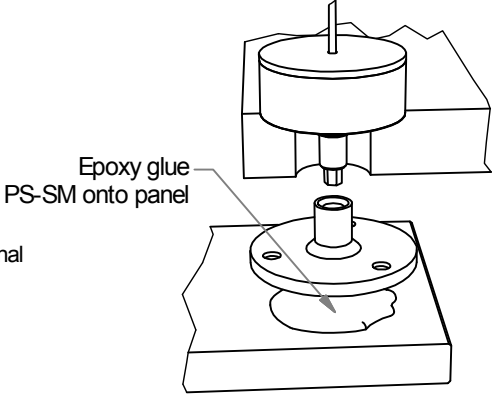

- 4** Screw fit PS-M with CT-10



Use battery drill with clutch set

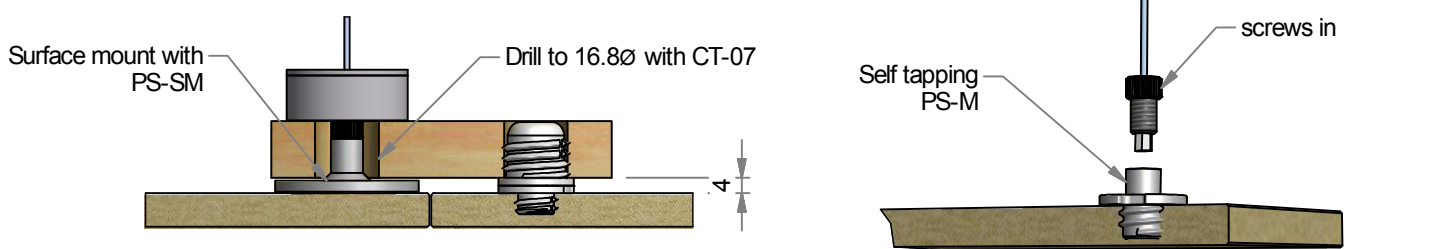
CT-10 PS-M

use adhesive for additional strength in soft panels
- 5** Surface mount option



Epoxy glue PS-SM onto panel

A Completed installation surface mount (PS-S150E) and self tapping options (PS-150E)

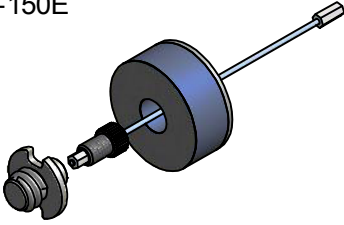
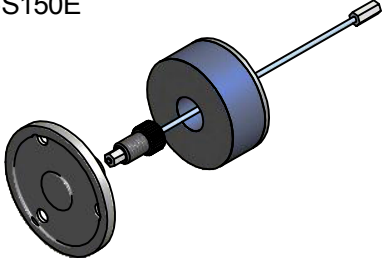


Surface mount with PS-SM Drill to 16.8Ø with CT-07

Self tapping PS-M screws in

PS-150E + PS-S150E PanelSafe Easy fit restraint system

(page 2)

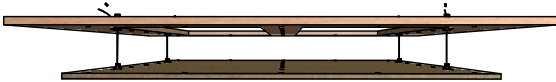
<p>PS-150E</p> 	<p>USE WITH: PS-S150E</p> 	<p>INSTALL WITH:</p>
<p>INSTALLATION STEPS (continued from previous page)</p>		

A Plan view of panel from above with 4 x Panelsafe

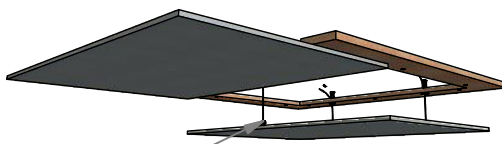
Larger or more flexible panels may require extra Panelsafes for correct support. Each Panelsafe is rated at 40kg static load.

Panesafe location at 1/4 points on panel

B End view with panel down



C Plan view of small panel from above with 3 x Panelsafe



Release 1 panelsafe to hinge panel down

