
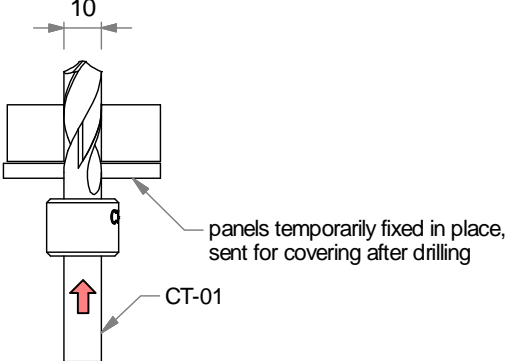
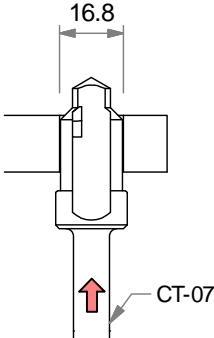
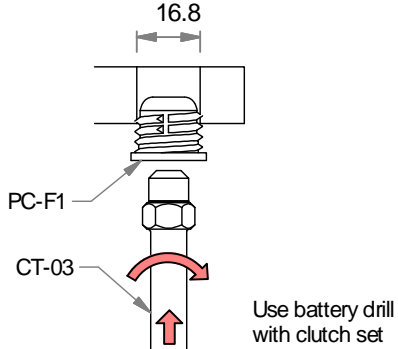
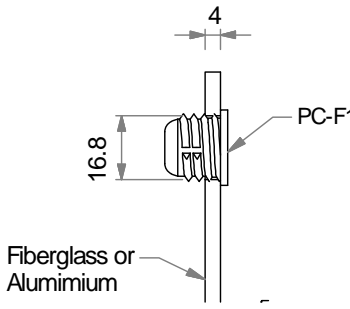


PC-F1 Self tapping female (page 1 of 2)

	<p>USE WITH:</p> <p>PC-M1A PC-M2H VS-M1</p> <p>PC-SM2 PC-SM2H</p>	<p>INSTALL WITH:</p> <p>CT-01 CT-03 CT-07 CT-10</p>
<p>INSTALLATION STEPS (see reverse for more options)</p>		

<p>1 Drill hole through panel & frame</p>  <p>10</p> <p>panels temporarily fixed in place, sent for covering after drilling</p> <p>CT-01</p>	<p>2 Drill out frame hole with CT-07</p>  <p>16.8</p> <p>CT-07</p>	<p>3 Screw fit PC-F1 with CT-03</p>  <p>16.8</p> <p>PC-F1</p> <p>CT-03</p> <p>Use battery drill with clutch set</p>
---	---	--

4 Screw fit PC-F1 into thin frame



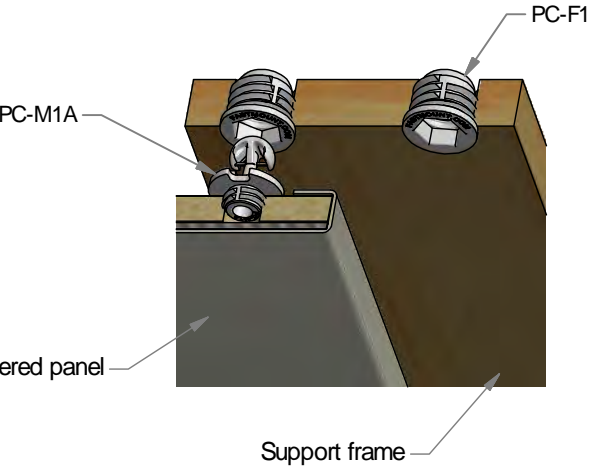
4

16.8

PC-F1

Fiberglass or Aluminium

5 Cutaway view showing panel mounting



PC-F1

PC-M1A


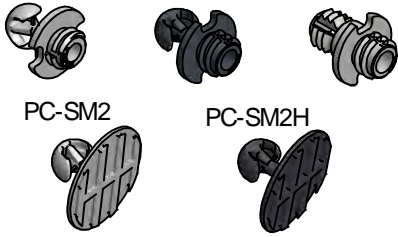
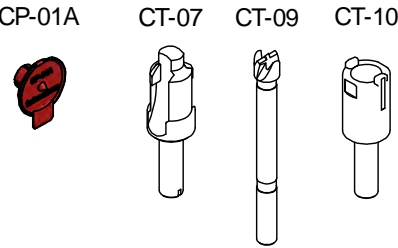
Covered panel

Support frame

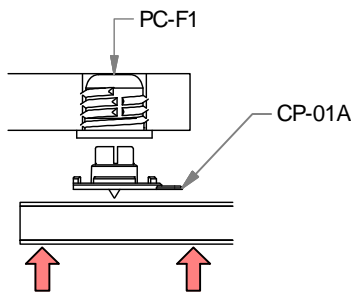
PC-F1 can be used as screw / friction fit into thin frames & seat backs

MORE INFO: Setout Guide TD-02 & TD-09. Product sheet PC-01

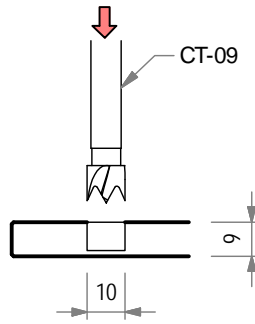
PC-F1 Self tapping female (page 2)

	<p>USE WITH:</p> <p>PC-M1A PC-M2H VS-M1</p> <p>PC-SM2 PC-SM2H</p> 	<p>INSTALL WITH:</p> <p>CP-01A CT-07 CT-09 CT-10</p> 
<p>INSTALLATION STEPS (continued from previous page)</p>		

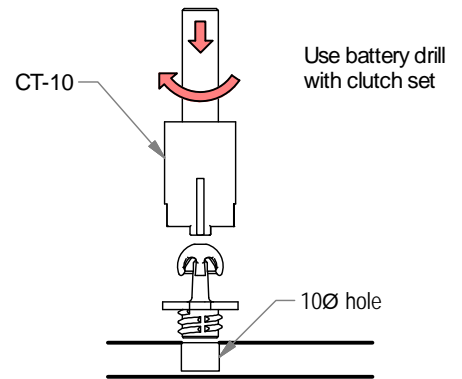
1 Fit CP-01A into PC-F1 then push panel to mark center



2 Drill panel on center mark with CT-09 7.5mm deep

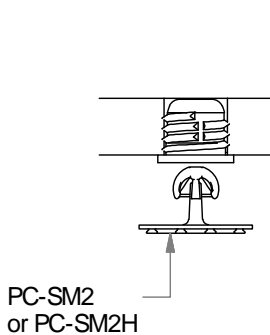


3 Screw fit male clip with CT-10

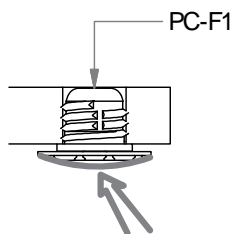


INSTALLING ADHESIVE FIT MALE CLIPS (first complete steps 1 to 3, page 1)

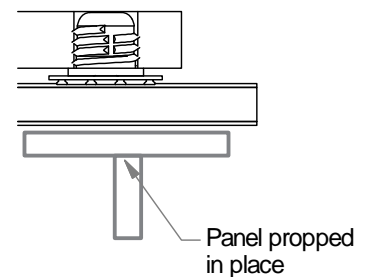
4 Clip PC-SM2 into PC-F1



5 Apply adhesive to PC-SM2



6 Place panel & support while adhesive dries



MORE INFO: Setout Guide TD-02 & TD-09. Product sheet PC-01