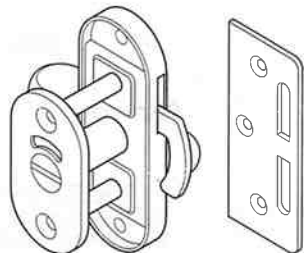


LAMP. SLIDING DOOR LOCK WITH INDICATOR HHC-85 PAT.P




Read this mounting instruction carefully to secure appropriate operation.

Especially sliding door must be installed properly. All dimensions are by metric system (mm).

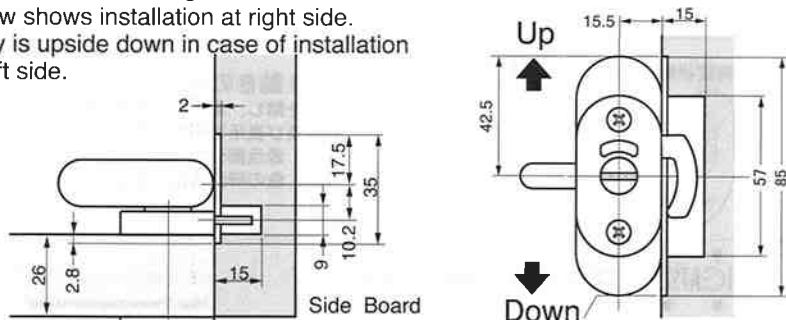
Step 1 Packing :Confirm each part and number of piece
 Body with indicator: 1 pc
 Counter plate: 1 pc



Screws :

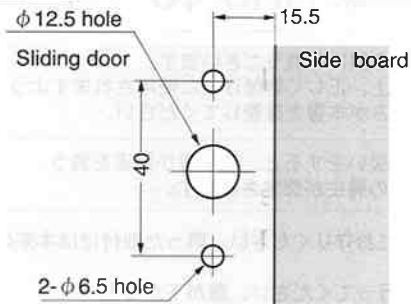
-  Screws for body M4 x 22 2 pcs
-  Screws for body 3.8 x 20 2 pcs
-  Screw for counter plate 3.5 x 20 3 pcs

Position of mounting
 Below shows installation at right side.
 Body is upside down in case of installation at left side.



Sliding door
Front view

Step 2 Mounting at sliding door

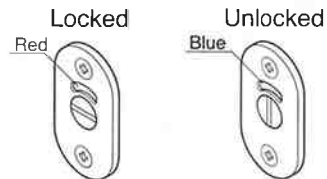
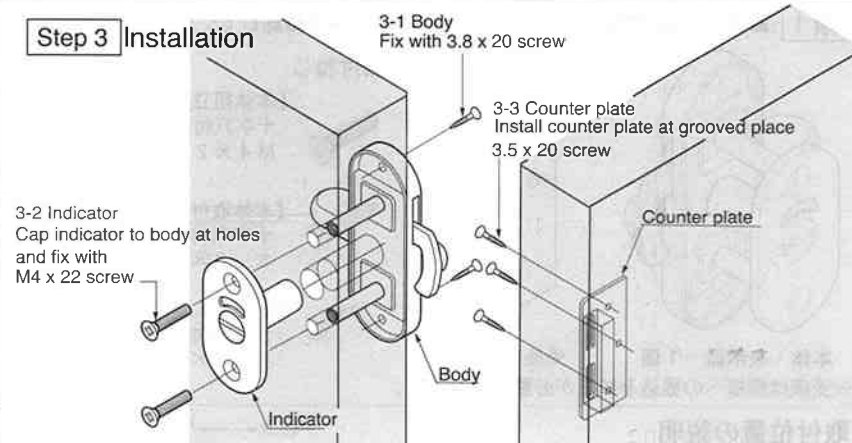


Front view

Make hole in accordance with drawing at left

Thickness of sliding door
26~38mm

Step 3 Installation



Check operation
 Repeat to open and close sliding door and lock and unlock, and confirm the working of indicator.
 Indicator in blue shows unlocked, and indicator in red shows locked



For Overseas Customers
SUGATSUNE KOGYO CO., LTD.
 1-8-11 HigashiKanda, Chiyoda-ku,
 Tokyo 101-8633, Japan
 TEL:+81-3-3866-2260 FAX:+81-3-3866-4447
<http://www.sugatsune.co.jp>
 E-mail: export@sugatsune.co.jp
 ISO9001 (JSAQ384) ISO14001 (JSAE597) CERTIFICATE.

For North American Customers
SUGATSUNE AMERICA, INC
 221 East Selandia Lane,
 Carson, CA 90746 U.S.A.
 TEL:+1-310-329-6373 FAX:+1-310-329-0819
 TOLL FREE:(600) 562-5267 (from U.S.A & Canada only)
<http://www.sugatsune.com>
 E-mail: sales@sugatsune.com