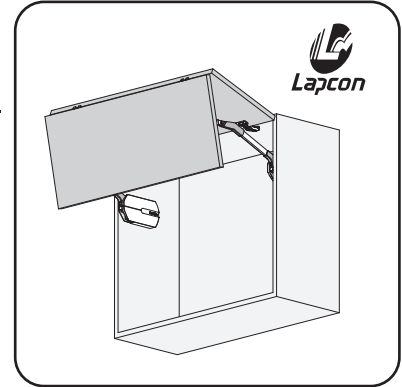


## Dear Customer:

HBF-ELAN stay was designed and manufactured with Sugatsune's utmost care in order to give you a high performance and smooth operation on a long-term basis. We ask you to follow these instructions for best possible results and carefree use throughout its lifetime.



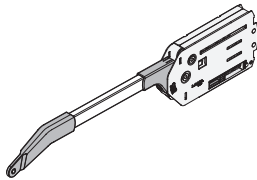
## Safety recommendations:

- Sugatsune recommends for the installation to be made by a professional carpenter or installer.
- HBF-ELAN stay contains some very strong springs: for your own safety, do not fold the arm before it is securely attached to the door. Failure to observe this advice may lead to bodily injury.
- Do not disassemble the arm or body of the stay.
- Please use this stay only within the specifications shown in this manual.
- Standard temperature of use is 0 to 40°C.

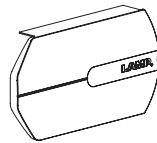
## Warranty

- HBF-ELAN stay was produced with a particular attention to its quality.
- Should you however experience any difficulty, please refer to your local supplier or Sugatsune Export Department (export@sugatsune.co.jp).
- The liability of Sugatsune is limited to the replacement or repair of the stay itself.
- Sugatsune cannot accept any liability for damage incurred while using this stay.
- Standard warranty is for one-year period from the date of shipment.

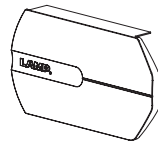
## Parts list



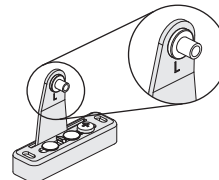
■ Body : 2 pieces



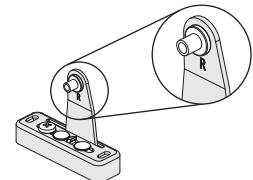
■ Body cover (left) : 1 piece



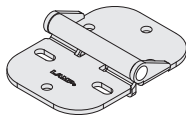
■ Body cover (right) : 1 piece



■ Mounting plate (left) : 1 piece



■ Mounting plate (right) : 1 piece



■ Center hinge : 2pieces



■ Body installation screws (3,5x38) : 6pieces



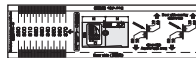
■ Mounting plate installation screws (3,5x27) : 4pieces



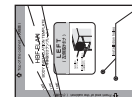
■ Center hinge installation screws (3,5x15) : 12pieces



■ Arm installation screws (M4x5) : 2pieces



■ Mounting plate installation template : 1piece



■ Body installation template : 1piece

■ Installation instructions · Japanese version : 1 piece, English version(this book) : 1 piece

## Specifications

· HBF-ELAN specifications applicable are in the list below. The application range is for information purpose only. We recommend that all installations be tested thoroughly.

### ■ Door size

Door weight (/door)	2.5~6.5 kg
Door height (/door)	320~370mm
Door width	MAX 1200mm

- ※ Minimum cabinet inside height is 600mm.
- ※ The size of 2 doors should be same.

### ■ Top door hinge(sold separately) specifications

Opening angle	Overlay	Type
105°	5~19mm	Free swinging
110°		
120°		

### ■ Number of top door hinges required

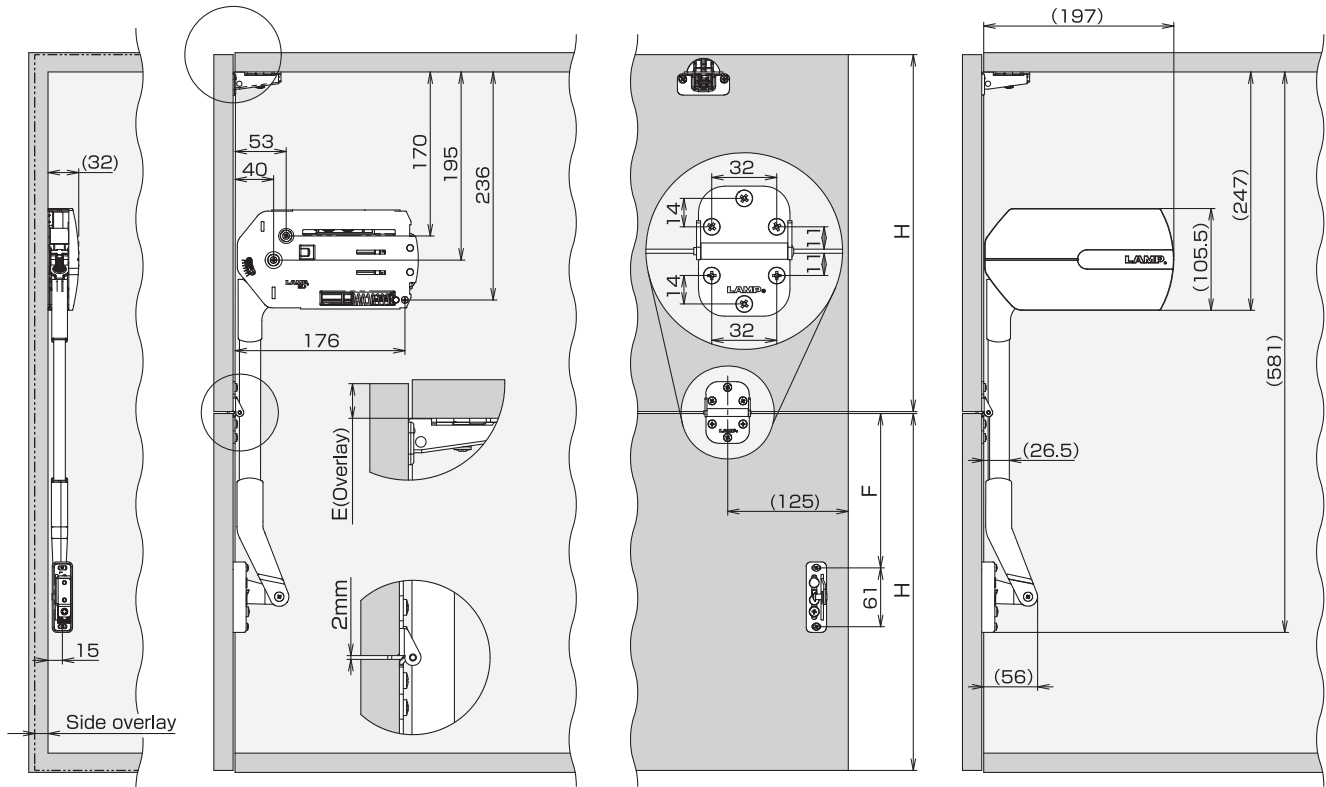
Door weight (/door)	Door width	
	~900mm	901~1200mm
2,5~5,5 kg	2pieces	3pieces
5,6~6,5 kg	3pieces	3pieces

### ■ HBF-ELAN specifications

Door weight (/door)	Item No.
2.5~3.3 kg	HBF-ELAN-LL
3.3~4.1 kg	HBF-ELAN-ML
4.1~4.9 kg	HBF-ELAN-MM
4.9~5.7 kg	HBF-ELAN-HM
5.7~6.5 kg	HBF-ELAN-HH

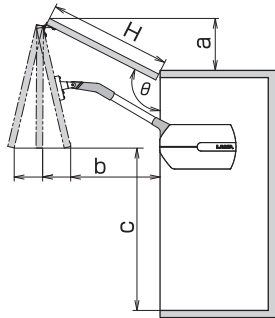
- ※ Select the Door weight range applicable on the list above.
- ※ Range applicable for a pair of HBF-ELAN.
- ※ Weight of the door should include the handle.

# Installation drawing



$$F = 512 + E(\text{Overlay}) - H(\text{Door height})$$

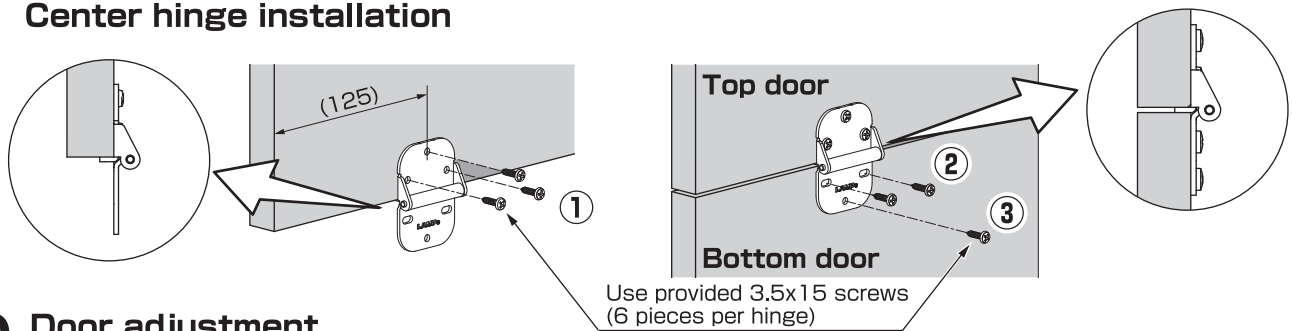
## Opening dimension



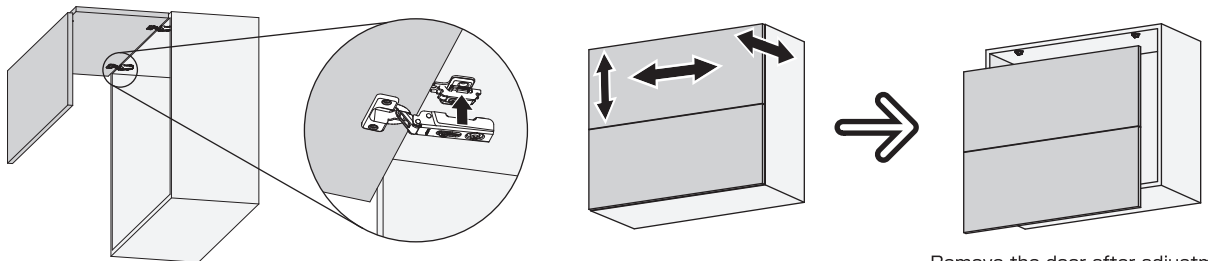
$\theta$ : Top door hinge opening angle	H: Door height (mm)								
	320			350			370		
	a	b	c	a	b	c	a	b	c
105°	58	364	341	65	348	373	69	314	399
110°	85	364	369	93	344	402	99	303	431
120°	134	359	424	148	330	459	157	270	492

# Installation

## 1 Center hinge installation

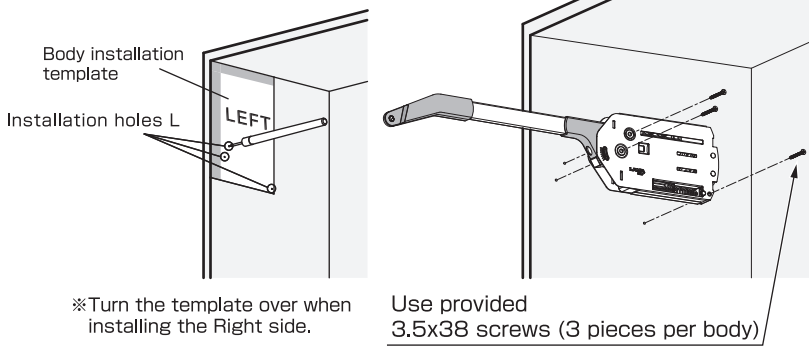


## 2 Door adjustment

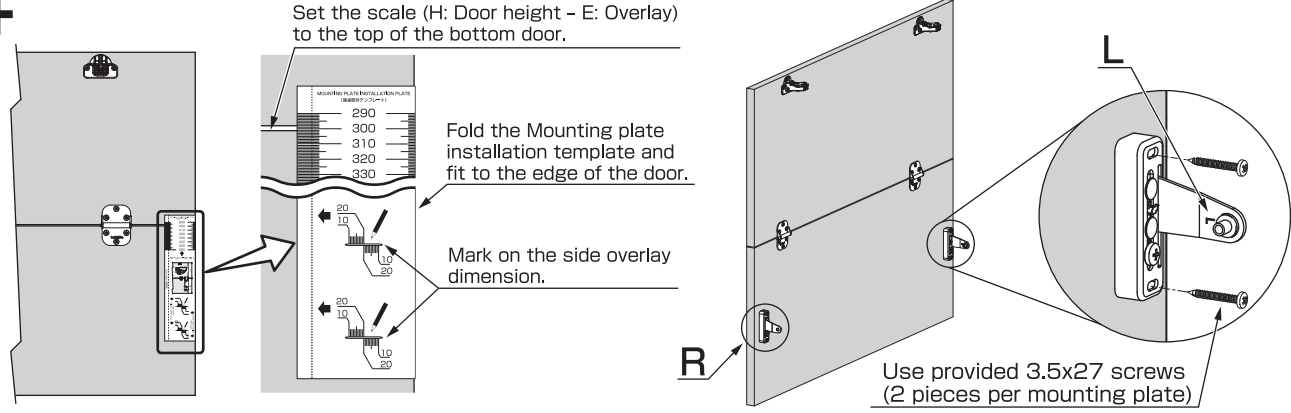


Remove the door after adjustment.

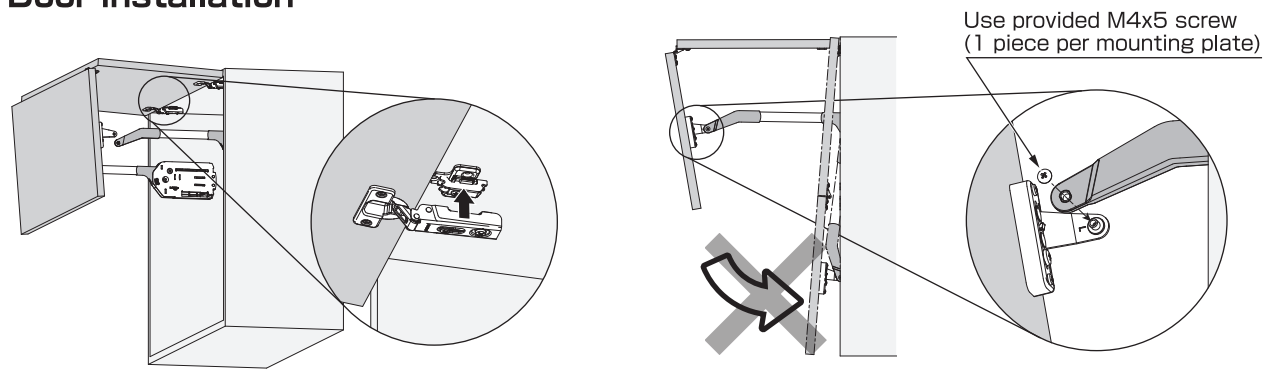
# 3 Body installation



# 4 Mounting plate installation

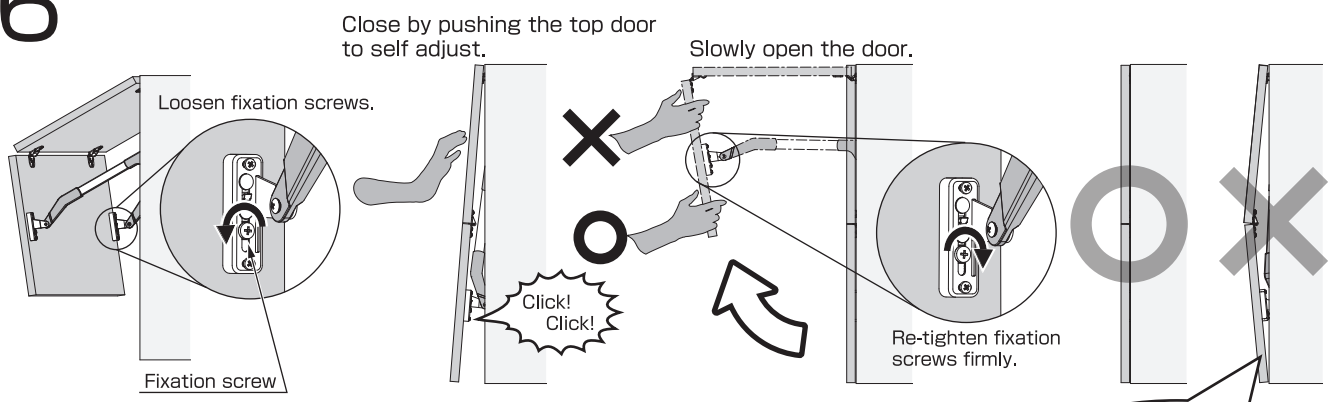


# 5 Door installation



- ⚠ Ensure the top door hinges are securely installed so that the door will not drop.
- ⚠ Ensure that all the screws are securely fastened.

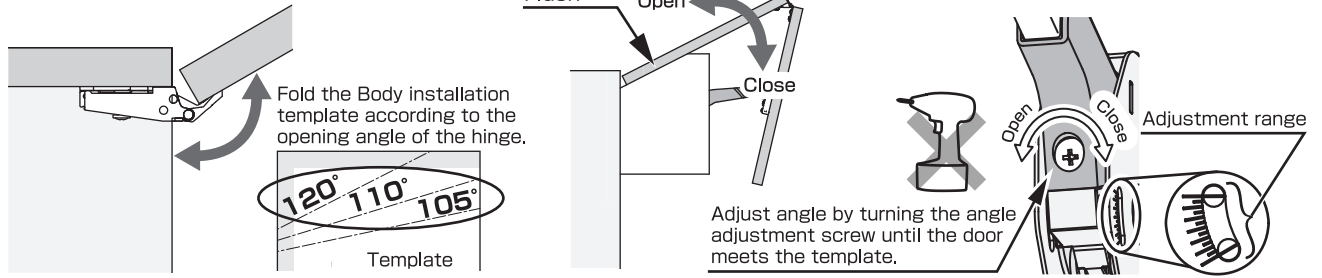
# 6 Mounting plate adjustment



- ⚠ Always loosen fixation screws before attempting to adjust the height. Failure to do so will damage the product.
- ⚠ Ensure that the fixation screws are securely fastened.

Re-adjustment needed. (See P.4)

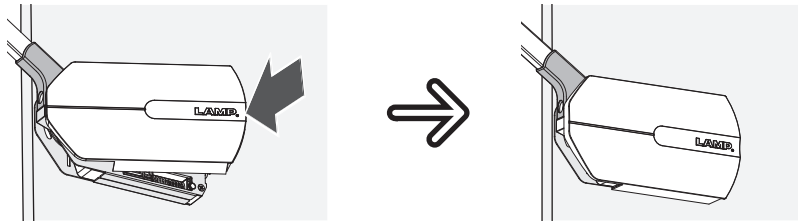
# 7 Door angle adjustment



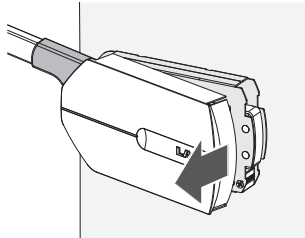
- ⚠ Always adjust the left & right opening angle simultaneously.
- ⚠ Do not exceed the adjustment range as it will cause damage to the product.

Check the movement by opening and closing the door after all the adjustments.

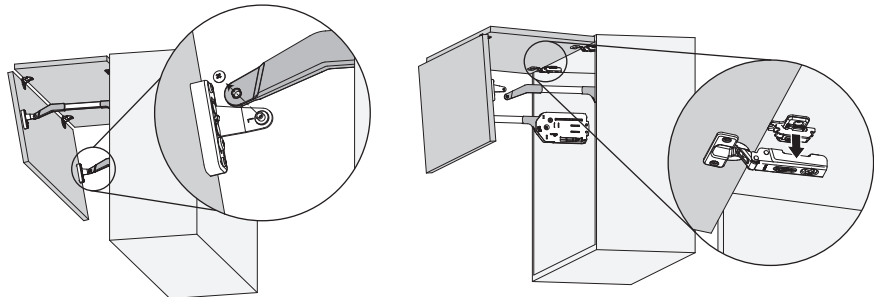
# 8 Cover installation



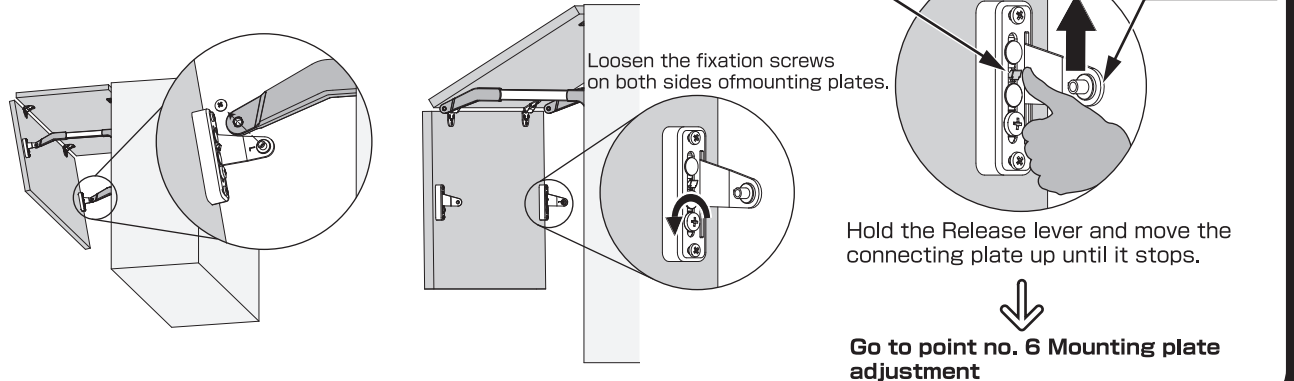
## Cover removal



## Door removal



## Mounting plate re-adjustment



**SUGATSUNE KOGYO CO.,LTD.**  
 Phone: +81 3 3866 2260  
 Fax : +81 3 3866 4447  
 E-mail: export@sugatsune.co.jp  
 Website: www.sugatsune-intl.com

**SUGATSUNE KOGYO (UK) LTD.**  
 Phone: +44 118 9272 955  
 Fax : +44 118 9272 871  
 E-mail: sales@sugatsune.co.uk  
 Website: www.sugatsune.co.uk

**SUGATSUNE AMERICA, INC.**  
 Phone: +1 310 329 6373  
 Fax : +1 310 329 0819  
 E-mail: sales@sugatsune.com  
 Website: www.sugatsune.com

**SUGATSUNE SHANGHAI CO., LTD.**  
 Phone: +86 21 3632 1858  
 Fax : +86 21 3632 1868  
 E-mail: lamp@sugatsune.com.cn  
 Website: www.sugatsune.com.cn

ISO9001(Japan Offices and Sugatsune America) and ISO14001(Chiba Production division and Logistics center), certified.

2014.05 PRINTED IN CHINA 0622-2