

Caution Using this product without observing these instructions may result in the product failure, injury or installation failure.

Parts description

(Parts included in each set.)

- ① ...Hinge Body with Catch Unit x1
- ② ...Back Plate x1
- ③ ...Back Plate Gasket x1
- ④ ...Gasket x1
- ⑤ ...Tube x1
- ⑥ ...Round Head Washer Phillips Screw x2
- ⑦ ...Wood Screw x4 (4.5x20 Flat Head)
- ⑧ ...Finger Jamming Caution Sticker x1

Wood Frame (Completed installation)

4 sets are necessary for the installation shown in below.

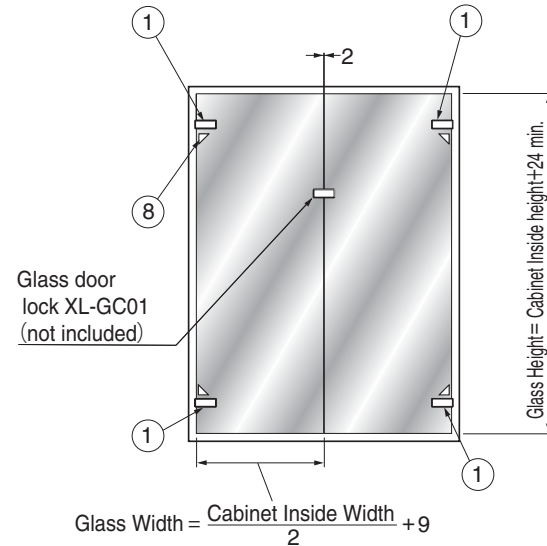
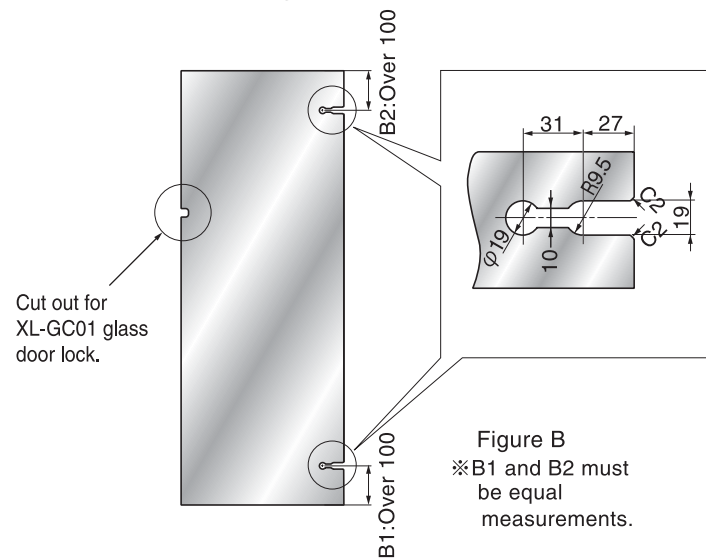


Figure A

Glass Cutting



Caution

- Applicable glass door size is within W500 mm × H1200 mm. Maximum applicable weight is 12 kg.
- Applicable glass thickness is 5, 6 or 8 mm.
- If you have any questions on glass processing, please consult your glazing company.

Hinge Installation

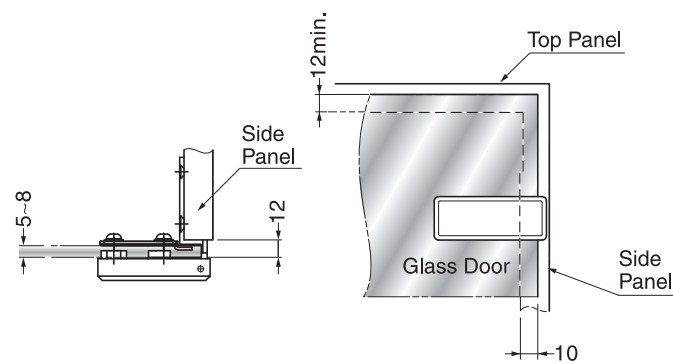


Figure C

Caution

Place a soft cloth on the floor before installation or glass may be scratched.

1 Hinge Assembly

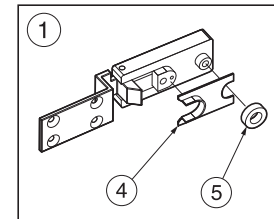


Figure D

Set the gasket ④ and tube ⑤ on the hinge ① as shown in **Figure D**.

2 Hinge Assembly

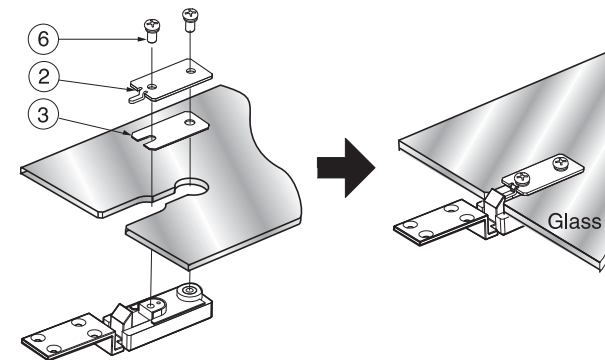


Figure E

Put the hinge assembly shown in **Figure D** on the glass. Then set the back plate gasket ③ and back plate ② as shown in **Figure E** and fasten with fixing screws ⑥

3 Door Installation

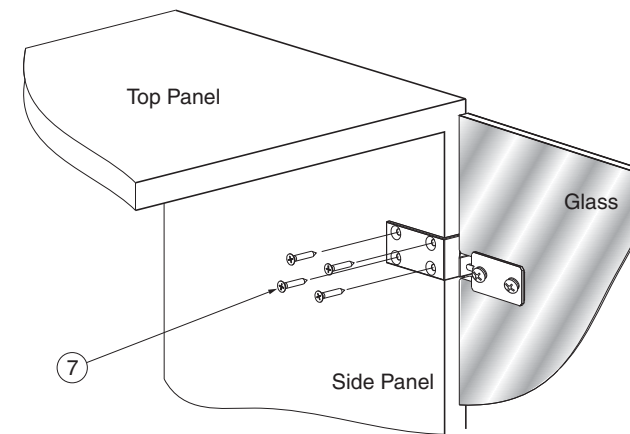


Figure F

Secure the hinge with wood screws ⑦ to the side panel as shown in **Figure F**.

Lastly, affix the finger jamming caution sticker ⑧ as shown in **Figure A**.

SUGATSUNE KOGYO CO.,LTD.
 Phone: +81 3 3866 2260
 F a x : +81 3 3866 4447
 E-mail: export@sugatsune.co.jp
 Website: www.sugatsune-intl.com

SUGATSUNE KOGYO (UK) LTD.
 Phone: +44 118 9272 955
 F a x : +44 118 9272 871
 E-mail: sales@sugatsune.co.uk
 Website: www.sugatsune.co.uk

SUGATSUNE AMERICA, INC.
 Phone: +1 310 329 6373
 F a x : +1 310 329 0819
 E-mail: sales@sugatsune.com
 Website: www.sugatsune.com

SUGATSUNE SHANGHAI CO., LTD.
 Phone: +86 21 3632 1858
 F a x : +86 21 3632 1868
 E-mail: lamp@sugatsune.com.cn
 Website: www.sugatsune.com.cn

ISO9001(Japan Offices and Sugatsune America) and ISO14001(Chiba Production division and Logistic center), certified.