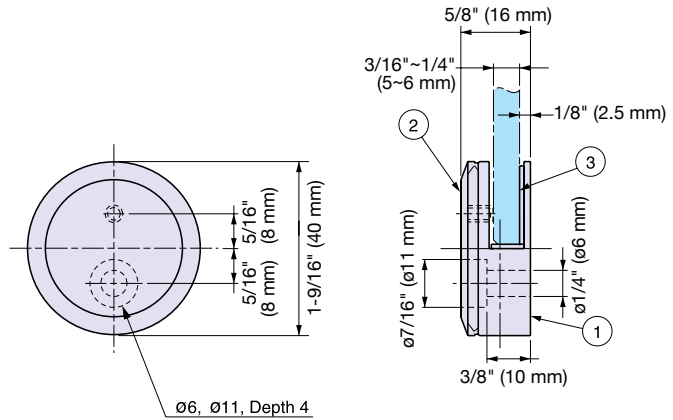


Zwei L Mirror Support



ZL-3102-40



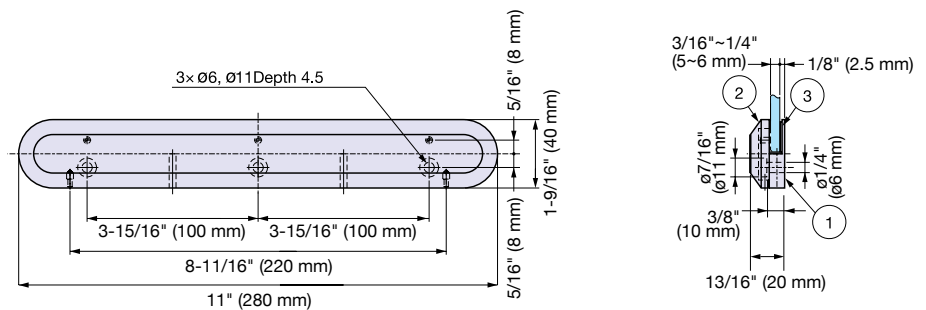
Item No.	Mirror Thickness	Box (pcs)
ZL-3102-40	3/16"~1/4" (5~6 mm)	4

No.	Part Name	Material	Finish/Color
①	Body	316 Stainless Steel	Zwei L
②	Cover		
③	Bumper	Synthetic Rubber	Black

Zwei L Mirror Support



ZL-3101-200



Item No.	Mirror Thickness	Box (pcs)
ZL-3101-200	3/16"~1/4" (5~6 mm)	2

No.	Part Name	Material	Finish/Color
①	Body	316 Stainless Steel	Zwei L
②	Cover		
③	Bumper	Synthetic Rubber	Black