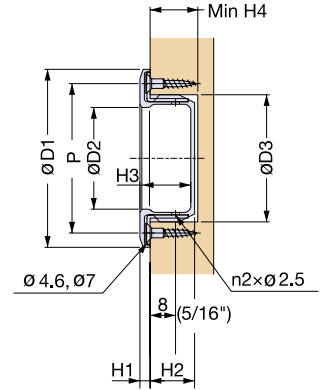
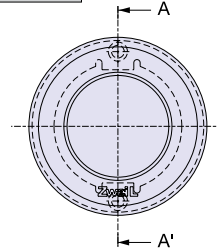


Installation

- Ideal for sliding doors.
- Supplied with stainless steel wood screws (3.1 × 16).



Cross-section (A-A') View

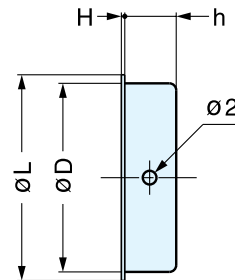
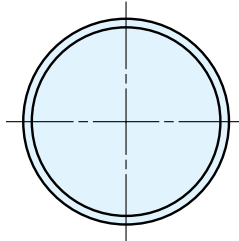
No.	Part Name	Material	Finish/Color
①	Pull	316 Stainless Steel	Zwei L
②	Mounting Bracket	316 Stainless Steel	Plain

Item No.	D2	P	D1	H2	H1	H3	D3	H4	n1	n2	Weight (g)	Box (pcs)
ZL-2501-56	1-1/4" (32 mm)	1-7/8" (47 mm)	2-3/16" (56 mm)	9/16" (14 mm)	1/8" (3.2 mm)	5/8" (16 mm)	1-9/16" (40 mm)	9/16" (15 mm)	1/16" (2 mm)	3/16" (4 mm)	93	1
ZL-2501-80	2" (50 mm)	2-3/4" (70 mm)	3-1/8" (80 mm)	9/16" (14 mm)	3/16" (4 mm)	5/8" (16.5 mm)	2-7/16" (62 mm)	9/16" (15 mm)	3/16" (4 mm)	1/16" (2 mm)	196	1
ZL-2501-125	3-1/8" (80 mm)	4-7/16" (112 mm)	4-15/16" (125 mm)	5/8" (16 mm)	3/16" (5 mm)	13/16" (20 mm)	3-15/16" (100 mm)	11/16" (17 mm)	3/16" (4 mm)	3/16" (4 mm)	610	1

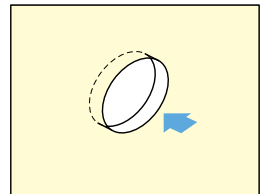
RECESSED PULL



RP



- Ideal for sliding doors.
- Affix with glue or tack.



Installation

Item No.	L	H	h	D	Weight (g)	Material	Finish	
						304 Stainless Steel	Satin	
RP-30	1-3/16" (30 mm)	1/16" (0.5)	5/16" (7.5 mm)	1-1/16" (27.5 mm)	4.0	100	3600	
RP-37	1-7/16" (36 mm)			1-1/4" (31.5 mm)	6.0			
RP-45	1-13/16" (46 mm)		1-5/8" (41 mm)	9.5				
RP-60	2-3/8" (60 mm)		2-1/8" (53.5 mm)	15.0	50			1200
RP-80	3-1/8" (80 mm)		2-13/16" (71 mm)	25.5	25			500