

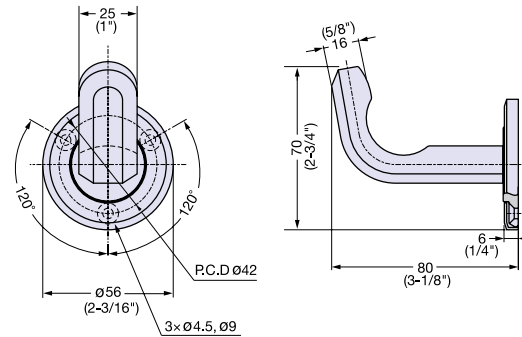
Zwei L Hook



ZL-2101



- Supplied with stainless steel wood screws (4.1 × 32) and concrete anchor (for wood screw 4.1, ø6 mm hole).



Item No.	Material	Finish/Color	Load Capacity	Weight (g)	Box (pcs)
ZL-2101	316 Stainless Steel	Zwei L	81 lbs (37 kg)	381	1

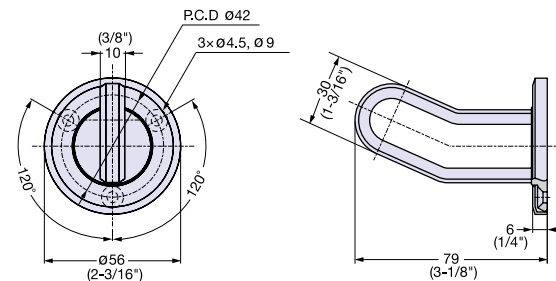
Zwei L Hook



ZL-2102



- Supplied with stainless steel wood screws (4.1 × 32) and concrete anchor (for wood screw 4.1, ø6 mm hole).



Item No.	Material	Finish/Color	Load Capacity	Weight (g)	Box (pcs)
ZL-2102	316 Stainless Steel	Zwei L	66 lbs (30 kg)	221	1