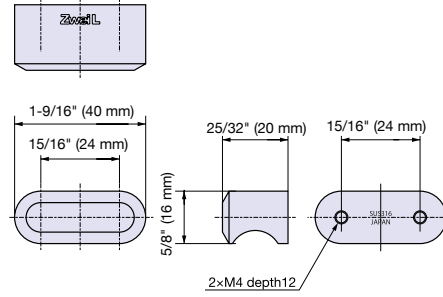


Zwei L Knob

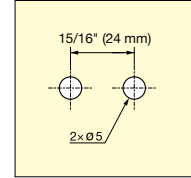
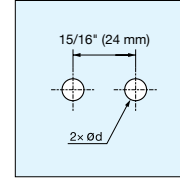


ZL-1907

HANDLES, PULLS & KNOBS



- For use with wood or tempered glass.
- Similar style to ZL-1504 door pulls.
- Includes stainless steel screws.



Glass Thickness:
4 or 5 mm, d = 5
6 mm, d = 6

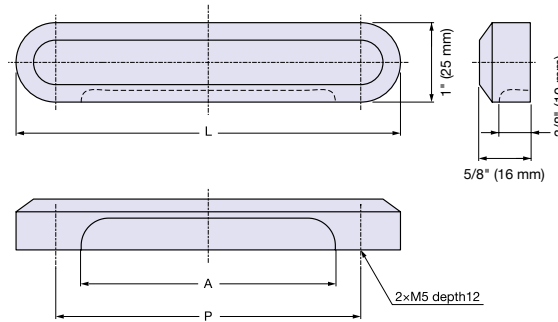
Item No.	Material	Finish/Color	Weight (g)	Box (pcs)	Carton (pcs)
ZL-1907	316 Stainless Steel	Zwei L	78	2	20

Zwei L Knob



ZL-2503

Zwei L KNOBS / BACK TO BACK GLASS DOOR KNOBS



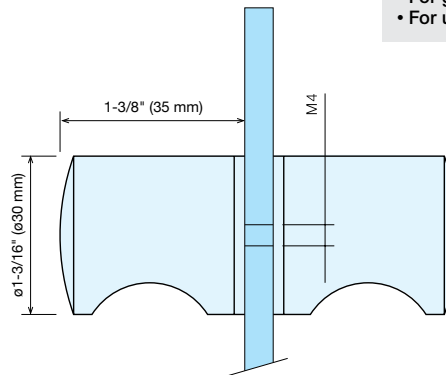
- Similar style to ZL-1505 door pulls.
- Includes stainless steel screws.

Item No.	Material	Finish/Color	L	P	A	Weight (g)	Box (pcs)	Carton (pcs)
ZL-2503-96	316 Stainless Steel	Zwei L	4-3/4" (121 mm)	3-3/4" (96 mm)	3-5/16" (84 mm)	320	4	40
ZL-2503-160			7-1/4" (185 mm)	6-5/16" (160 mm)	5-13/16" (148 mm)	496	2	20

BACK TO BACK GLASS DOOR KNOB



DSI-126D



- For glass thickness 5/16"-1/2" (8-12 mm).
- For use with tempered glass.

Item No.	Material	Glass Thickness	Finish	Box (set)
DSI-126D	304 Stainless Steel	5/16" ~ 1/2" (8 ~ 12 mm)	Stain	1