

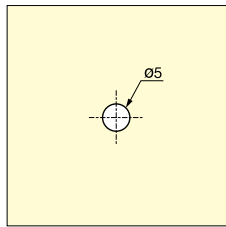
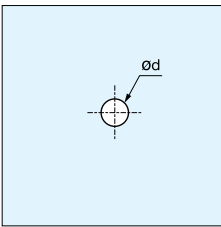
# Zwei L Knob



# ZL-1906

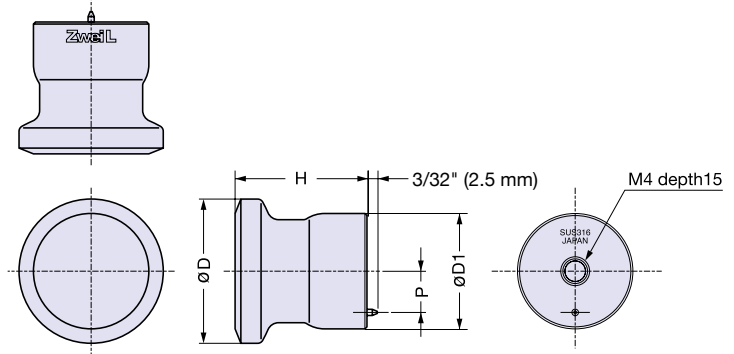


- For use with wood or tempered glass.
- Non-handed.
- Anti-rotation pin is removable.
- Includes stainless steel screws.



Glass Thickness:  
4 or 5 mm, d = 5  
6 mm, d = 6

Wood Panel



Item No.	Material	Finish/Color	H	D	D <sub>1</sub>	P	Weight (g)	Box (pcs)
ZL-1906-20	316 Stainless Steel	Zwei L	13/16" (20 mm)	13/16" (20 mm)	5/8" (16 mm)	3/16" (5 mm)	32	1
ZL-1906-28			1" (26 mm)	1-1/8" (28 mm)	7/8" (22.5 mm)	5/16" (8 mm)	83	
ZL-1906-36			1-1/4" (32 mm)	1-7/16" (36 mm)	1-1/8" (28 mm)	3/8" (10 mm)	165	

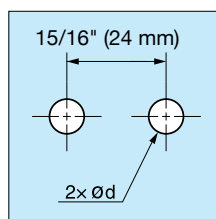
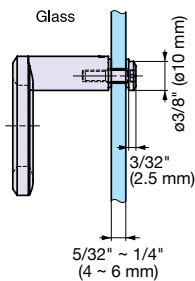
# Zwei L Knob



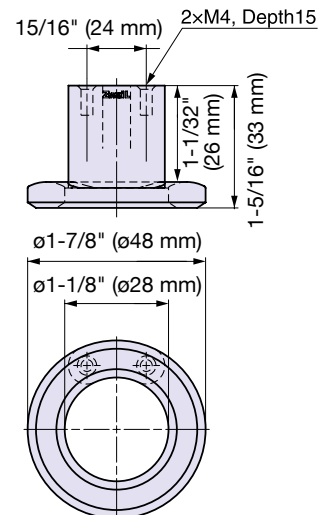
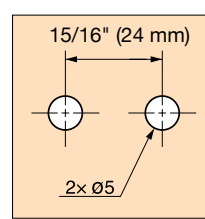
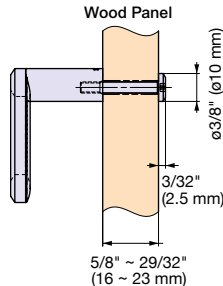
# ZL-1909



- For use with wood or tempered glass.
- Non-handed.
- Anti-rotation pin is removable.
- Includes stainless steel screws.



Glass Thickness:  
4 or 5 mm, d = 5  
6 mm, d = 6



Item No.	Material	Finish/Color	Weight (g)	Box (pcs)
ZL-1909	316 Stainless Steel	Zwei L	97	1