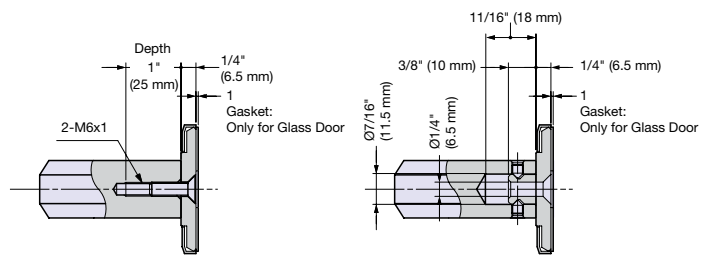
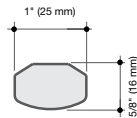
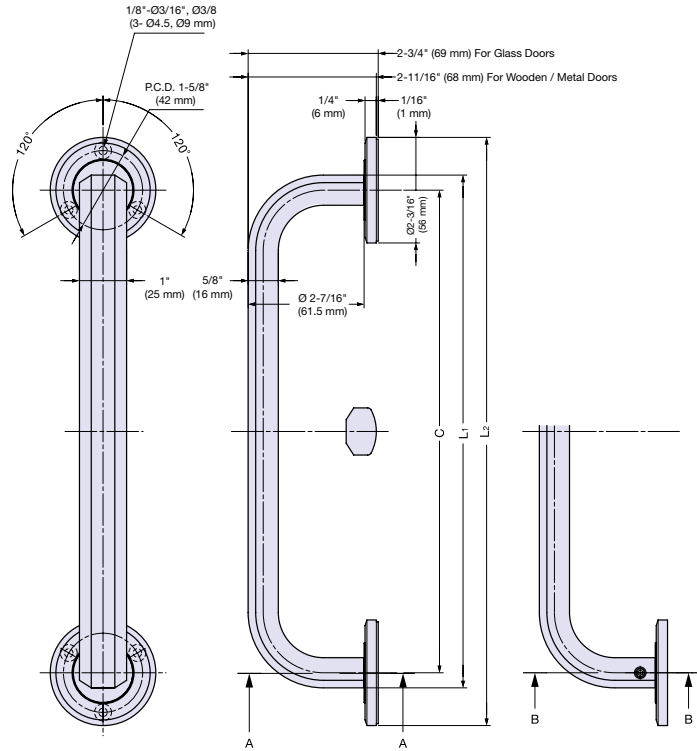


- Can be installed on Glass Door, Wooden or Metal Frame Door.
- Tolerance of screw pitch is $\pm 1/16"$ (1 mm).
- Base Plate included.



Item No.	Weight (g)	Box (pcs)	Item No.	Weight (g)	Box (pcs)	Item No.	Weight (g)	Box (pcs)
ZL-1502-IS-192	1081	1	ZL-1502-OS-192	1081	1	ZL-1502-WR-192	2297	1
ZL-1502-IS-320	1499	1	ZL-1502-OS-320	1499	1	ZL-1502-WR-320	3133	1
ZL-1502-IS-640	2530	1	ZL-1502-OS-640	2530	1	ZL-1502-WR-640	5195	1
ZL-1502-IS-960	3600	1	ZL-1502-OS-960	3600	1	ZL-1502-WR-960	7335	1

Item No.			Material	Finish/Color	Dimensions		
Exterior	Interior	Back-to-Back			C	L ₁	L ₂
ZL-1502-OS-192	ZL-1502-IS-192	ZL-1502-WR-192	316 Stainless Steel	Zwei L	7-9/16" (192)	8-3/16" (208)	9-3/4" (248)
ZL-1502-OS-320	ZL-1502-IS-320	ZL-1502-WR-320			12-5/8" (320)	13-1/4" (336)	4-13/16" (376)
ZL-1502-OS-640	ZL-1502-IS-640	ZL-1502-WR-640			25-3/16" (640)	25-13/16" (656)	7-3/8" (696)
ZL-1502-OS-960	ZL-1502-IS-960	ZL-1502-WR-960			37-13/16" (960)	38-7/16" (976)	40" (1016)

(units in mm)

Working Diagram		Door Thickness	Door Hole	Item No.	
Back-to-Back on Glass Door	With Base Plate		1/4"~1/2" (6~12 mm)	ø 1/2" (12 mm)	ZL-1502-WR
Back-to-Back on Wooden/Metal Frame Door	With Base Plate		1-9/16"~2-1/16" (40~52 mm)	ø 1/4" (7 mm)	ZL-1502-WR
	Without Base Plate		1-1/2"~2" (38~50 mm)	ø 1/4" (7 mm)	ZL-1502-WR
Single use on Wooden/Metal Frame Door	With Base Plate		-	-	ZL-1502-OS
			ø 1/4" (7 mm)	ZL-1502-OS	
	Without Base Plate		Screws not included	-	ZL-1502-IS
			-	ø 1/4" (7 mm)	ZL-1502-OS
			-	-	ZL-1502-IS
			-	-	ZL-1502-IS

*If door thickness exceeds recommended thickness, a longer bolt (not supplied) should be used.