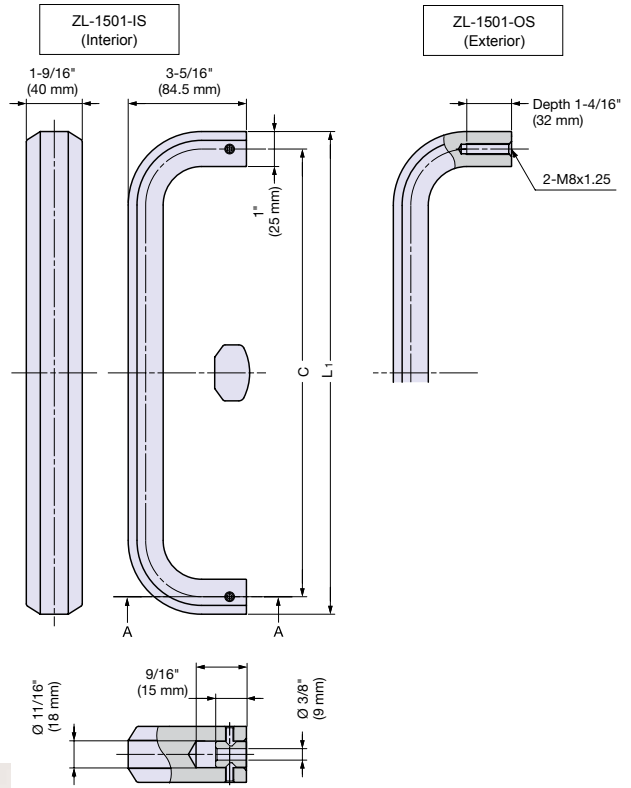
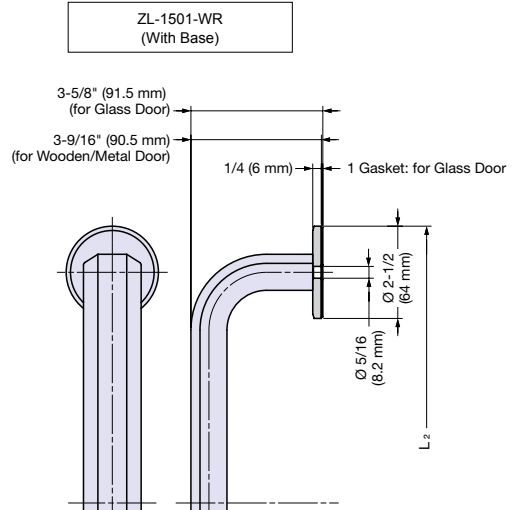




- Can be installed on Glass Door, Wooden or Metal Frame Door.
- Tolerance of screw pitch is $\pm 1/16"$ (1 mm).
- Only ZL-1501-WR comes with base (ZL1501-R).
- Order base ZL1501-R separately if baseplate needed for Exterior or Interior type.



ZL-1501-WR



Item No.	Weight (g)	Box (pcs)	Item No.	Weight (g)	Box (pcs)
ZL-1501-IS-320	3103	1	ZL-1501-OS-320	3103	1
ZL-1501-IS-640	5500	1	ZL-1501-OS-640	5500	1
ZL-1501-IS-960	8000	1	ZL-1501-OS-960	8000	1

Item No.	Weight (g)	Box (pcs)	Item No.	Weight (g)	Box (pcs)
ZL-1501-WN-320	6471	1	ZL-1501-WR-320	6783	1
ZL-1501-WN-640	11265	1	ZL-1501-WR-640	11577	1
ZL-1501-WN-960	16265	1	ZL-1501-WR-960	16577	1

Item No.				Material	Finish/Color	Dimensions		
Exterior	Interior	Back-to-Back	Back-to-Back with Base			C	L ₁	L ₂
ZL-1501-OS-320	ZL-1501-IS-320	ZL-1501-WN-320	ZL-1501-WR-320	316 Stainless Steel	Zwei L	12-15/8" (320)	13-9/16" (345)	15-1/16" (384)
ZL-1501-OS-640	ZL-1501-IS-640	ZL-1501-WN-640	ZL-1501-WR-640			25-3/16" (640)	26-3/16" (665)	27-3/4" (704)
ZL-1501-OS-960	ZL-1501-IS-960	ZL-1501-WN-960	ZL-1501-WR-960			37-13/16" (960)	38-3/4" (985)	40-5/16" (1024)
*ZL-1501-OS-1280	*ZL-1501-IS-1280	*ZL-1501-WN-1280	*ZL-1501-WR-1280			50-3/8" (1280)	51-3/8" (1305)	52-15/16" (1344)
*ZL-1501-OS-1600	*ZL-1501-IS-1600	*ZL-1501-WN-1600	*ZL-1501-WR-1600			63" (1600)	64" (1625)	65-1/2" (1664)
*ZL-1501-OS-1920	*ZL-1501-IS-1920	*ZL-1501-WN-1920	*ZL-1501-WR-1920			75-9/16" (1920)	76-9/16" (1945)	78-1/8" (1984)

()units in mm

*Length over 960 are special order item.

Working Diagram		Door Thickness	Door Hole	Item No.	
Back-to-Back on Glass Door	With Base Plate		1/4"~5/8" (6~16mm)	ø 5/8" (16 mm)	ZL-1501-WR
Back-to-Back on Wooden/Metal Frame Door	With Base Plate		1"~1-3/4" (25~45 mm)	ø 3/8" (9 mm)	ZL-1501-WR
	Without Base Plate		1-7/16"~2-1/4" (37~57 mm)	ø 3/8" (9 mm)	ZL-1501-WN
Single use on Wooden/Metal Frame Door	With Base Plate		Screws not included Base Plate (ZL-1501-R) sold separately	ø 3/8" (9 mm)	ZL-1501-OS ZL-1501-R
				-	ZL-1501-IS ZL-1501-R
	Without Base Plate			ø 3/8" (9 mm)	ZL-1501-OS
				-	ZL-1501-IS

*If door thickness exceeds recommended thickness, a longer bolt (not supplied) should be used.