

STAINLESS STEEL FOOT STAY (TWO-ANGLE LOCK)



YFNS

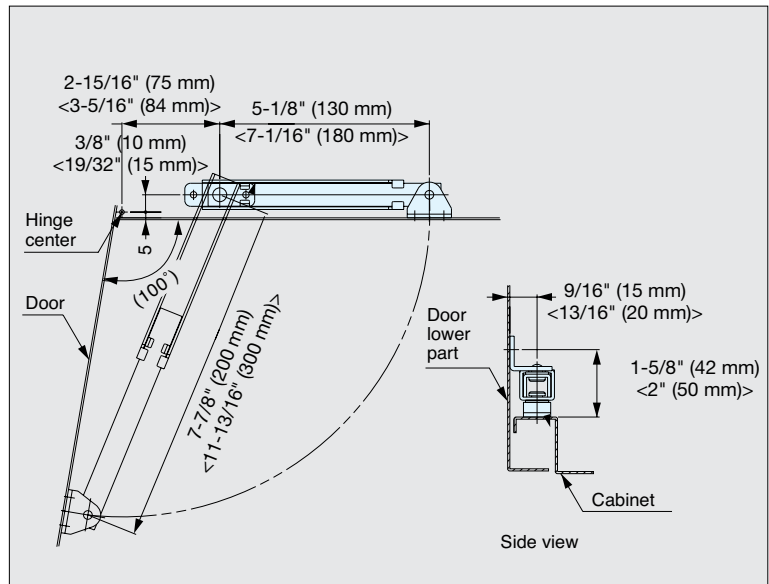
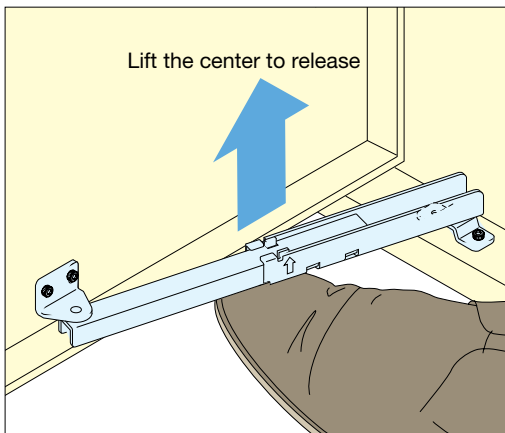
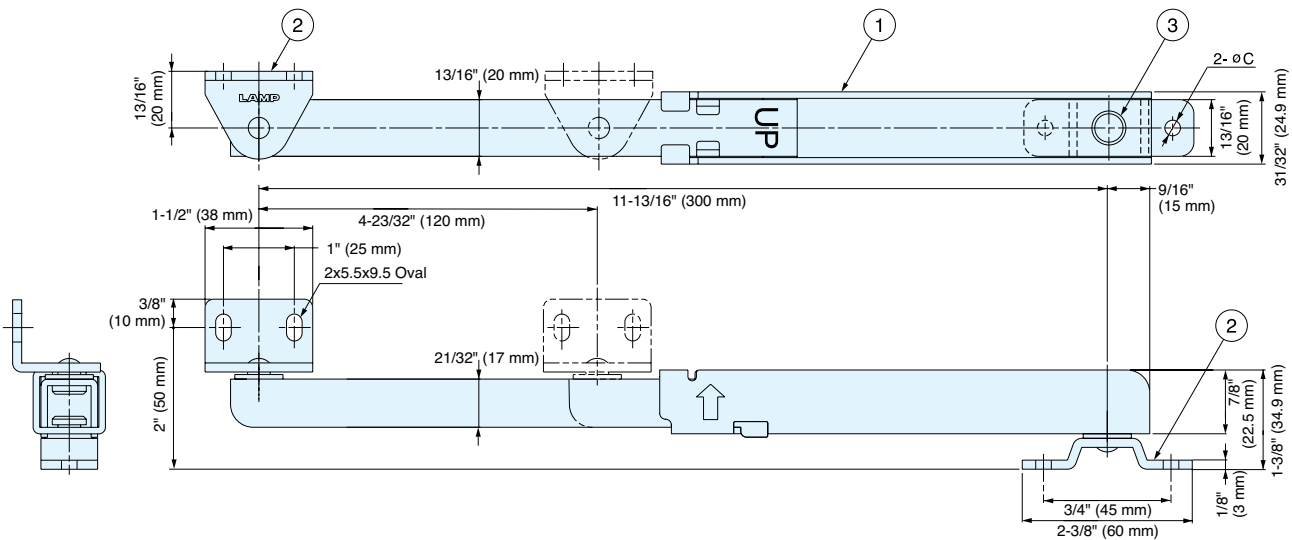
- For horizontally swinging doors.
- Mechanically locks door when fully opened.
- Simply lift the stay with foot toe to release the lock.
- Designed for bottom mount (Not recommended for vertical use).
- Non-Handed: Can be installed on left or right side.



YFNS-300



YFNS-300-T50



No.	Part Name	Material	Finish
①	Body	304 Stainless Steel	Barrel Polished
②	Bracket	304 Stainless Steel	Barrel Polished
③	Pin	Stainless Steel	-

Item No.	P1	P2	C	Tensile Force	Compression Load	Weight (g)	Box (pcs)	Carton (pcs)
YFNS-300	2-3/8" (60 mm)	1-3/4" (45 mm)	1/4" (5.5 mm)	Max. 198 lbs (90 kg)	Max. 110 lbs (50 kg)	389	5	30
YFNS-300-T50	2-13/16" (72 mm)	2-3/8" (60 mm)	11/32" (9 mm)	Max. 330 lbs (150 kg)	Max. 132 lbs (60 kg)	396	5	30