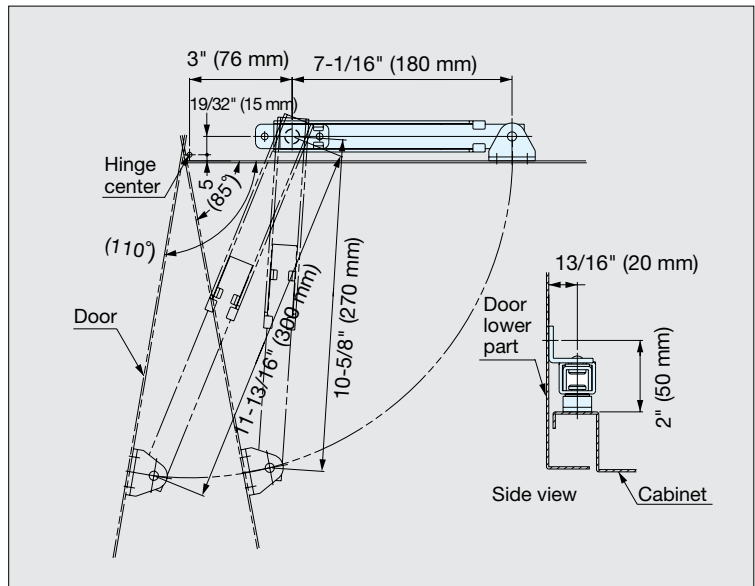
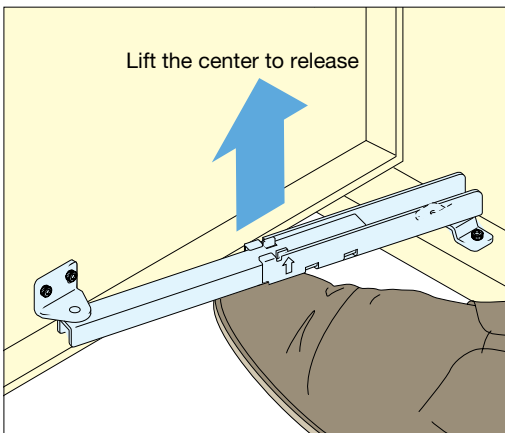
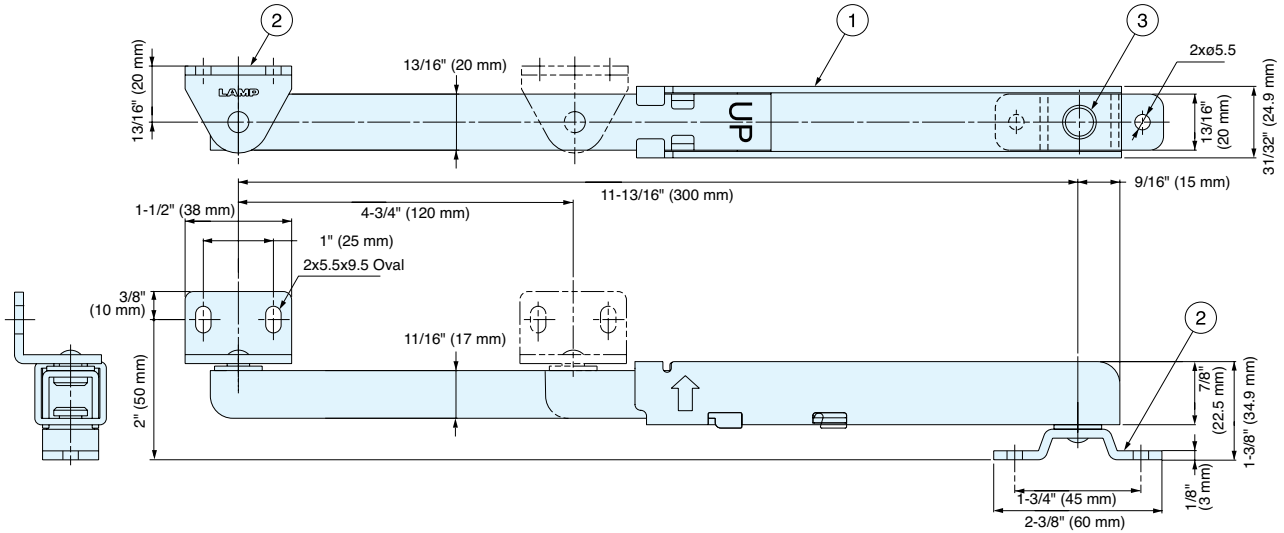


STAINLESS STEEL FOOT STAYS



YFNS-300W

- For horizontally swinging doors.
- Mechanically locks door at 85° and 110° (fully opened).
- Simply lift the stay with foot toe to release the lock.
- Designed for bottom mount (Not recommended for vertical use).
- Non-Handed: Can be installed on left or right side.



Item No.	Tensile Force	Compression Load
YFNS-300W	Max. 198 lbs (150 kg)	Max. 110 lbs (60 kg)

No.	Part Name	Material	Finish
①	Body	304 Stainless Steel	Barrel Polished
②	Bracket	304 Stainless Steel	Barrel Polished
③	Pin	Stainless Steel	-