

ENCLOSURE DOOR STOPS



YFN

LID SUPPORTS

FOOT STAYS



YFN-200



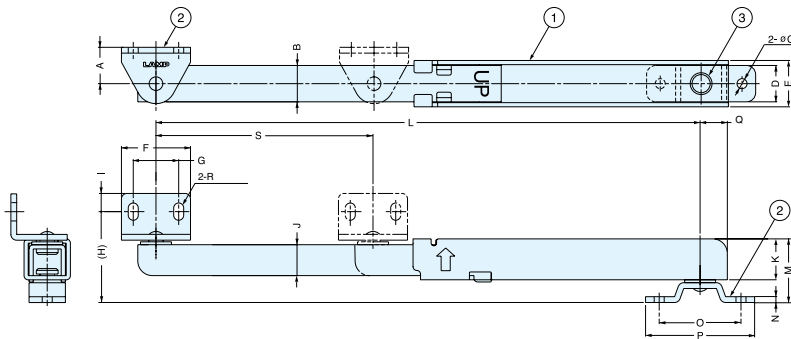
YFN-300



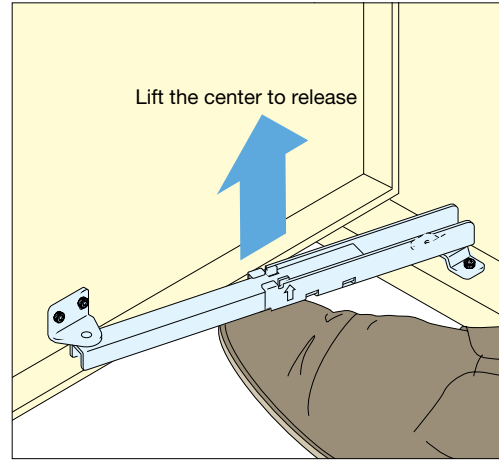
YFN-300-T50



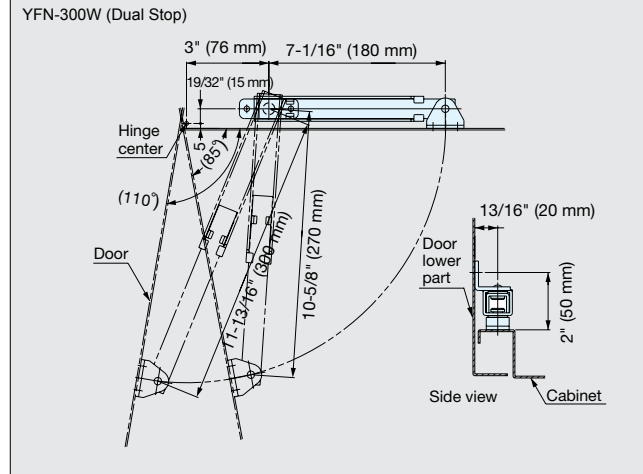
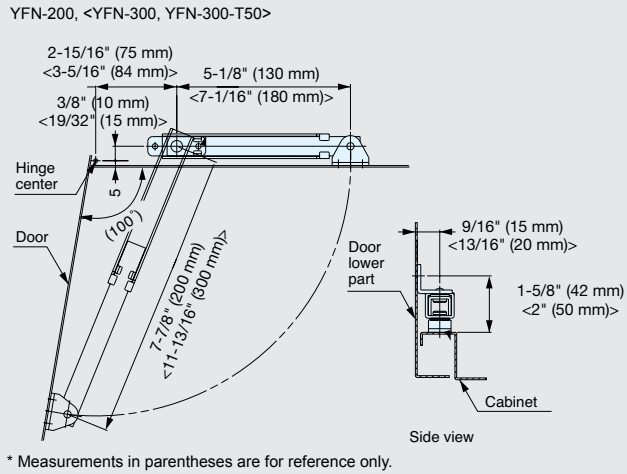
YFN-300W



- Door stops for enclosures that mechanically lock doors open.
- Release the stay by lifting with foot.
- For horizontally swinging doors only.
- Non-Handed: Install on left or right side.
- Designed for installation at the base of the enclosure.
- **YFN-300W only:** Mechanically locks door at 85° and 110° (fully opened).



No.	Part Name	Material	Finish
①	Body	Steel	Colored Zinc Chromate
②	Bracket		
③	Pin	304 Stainless Steel	Plain



Item No.	L	S	A	B	C	D	E	F	G	(H)	I	J	K	M	N	O	P	Q	R
YFN-200	7-7/8" (200)	2-3/4" (70)	9/16" (15)	5/8" (15.9)	(5.5)	11/16 (17)	13/16" (20)	1-5/16" (33)	13/16" (20)	1-5/8" (42)	5/16" (8)	5/8" (15.7)	13/16" (20)	1-3/16" (30)	1/16" (2.3)	(35)	(50)	(10)	5.5×8.0
YFN-300					(5.5)											(45)	(60)		
YFN-300-T50	11-13/16" (300)	4-3/4" (120)	13/16" (20)	13/16" (20)	(9)	13/16" (20)	1" (25.5)	1-1/2" (38)	1" (25)	2" (50)	3/8" (10)	11/16" (17)	7/8" (22.5)	1-3/8" (35)	1/8" (3.2)	(50)	(72)	(15)	5.5×9.5
YFN-300W					(5.5)											(45)	(60)		

() units in mm.

Item No.	Old Item No.	Tensile Force	Compression Load	Weight (kg)	Box (pcs)	Carton (pcs)
YFN-200	YF-200	Max. 198 lbs (90 kg)	Max. 110 lbs (50 kg)	198	10	100
YFN-300	YF-300			438		
YFN-300-T50	YF-300-T50	Max. 330 lbs (150 kg)	Max. 132 lbs (60 kg)	476	5	30
YFN-300W	YF-300W			435		