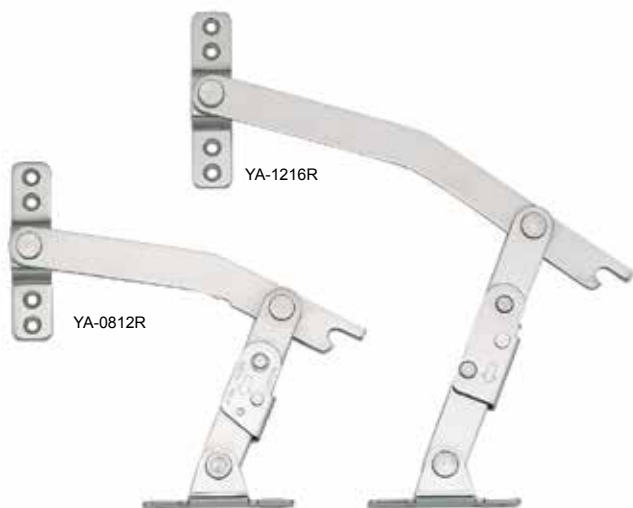


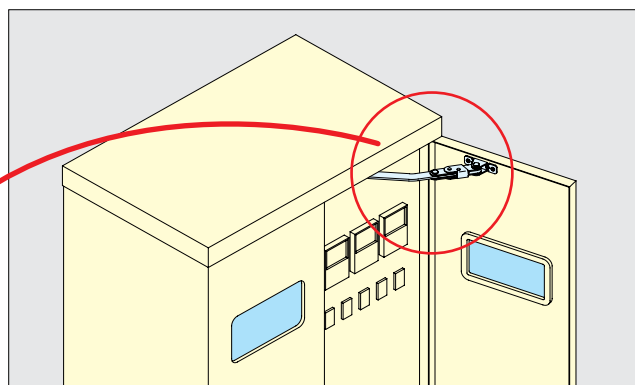
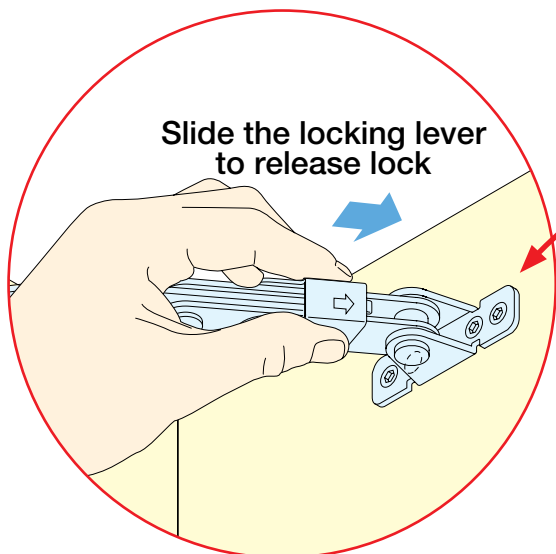
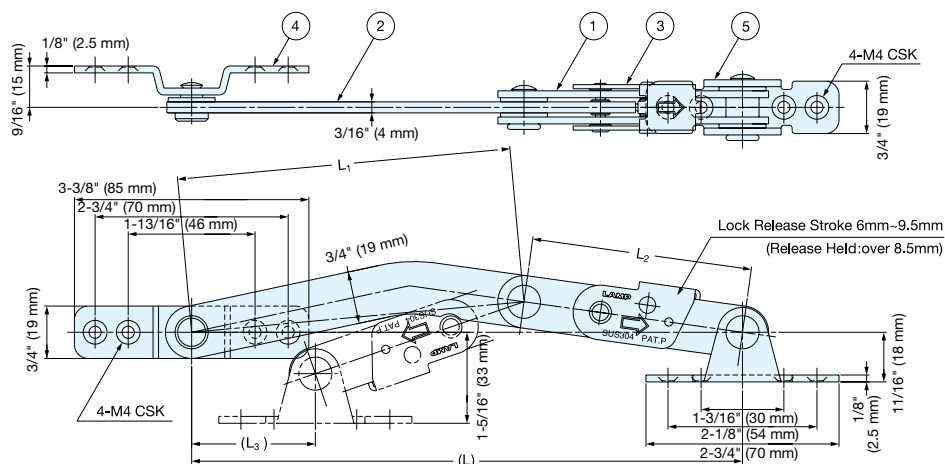
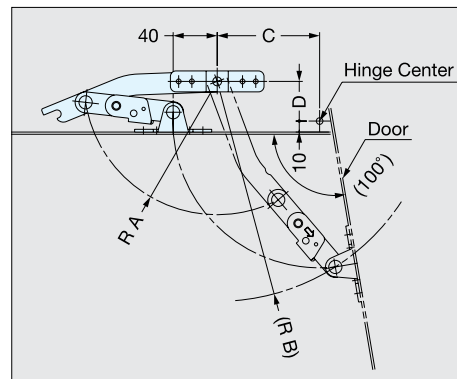
DOOR HOLDER



YA-0812, 1216



- Automatically locks door when fully opened.
- Slide the locking lever to release lock. Lever will keep the unlocked position until the door is moved, for easy handling.
- Left-handed and Right-handed models available.



No.	Part Name	Material	Finish
①	Outer Plate	304 Stainless Steel	Polished
②	Arm		
③	Slide Grip		
④	Arm Bracket		
⑤	Base Bracket		

Item No.	Type	L	L ₁	L ₂	L ₃	A	B	C	D	Weight (g)	Box (pcs)	Carton (pcs)
YA-0812L	Left	7-7/8" (200 mm)	4-3/4" (121 mm)	3-1/8" (80 mm)	1-3/4" (45 mm)	4-3/4" (121 mm)	7-7/8" (200 mm)	3-11/16" (93 mm)	1-7/16" (36 mm)	291	5	30
YA-0812R	Right											
YA-1216L	Left	11" (280 mm)	6-5/16" (161 mm)	4-3/4" (120 mm)	1-3/4" (44 mm)	6-5/16" (161 mm)	11" (280 mm)	5-11/16" (145 mm)	1-9/16" (40 mm)	340	5	30
YA-1216R	Right											