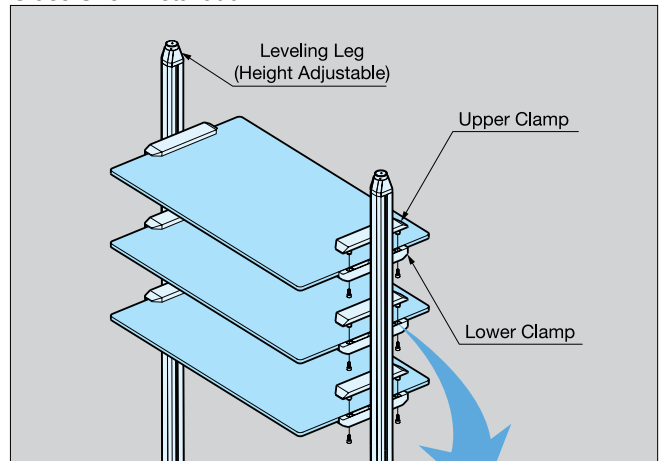
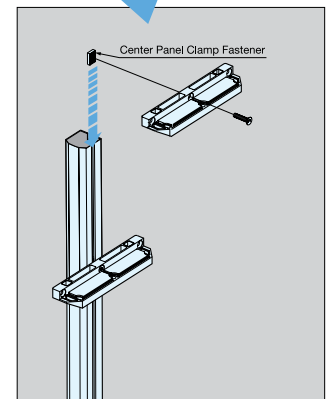


Glass Shelf Installation

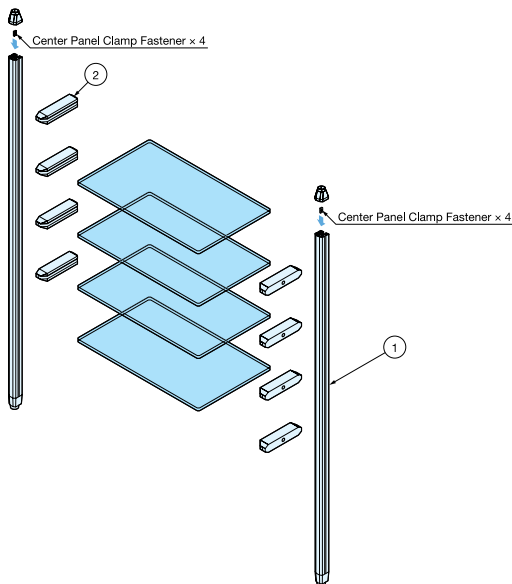


* Insert clamp fasteners before mounting leveling legs.



Glass Thickness	5/16" (8 mm) or 3/8" (10 mm)
Overall Height	Max. 103" (2616 mm)
Glass Width	Max. 47-1/4" (1200 mm) (Glass Thickness 8 mm) Max. 59-3/64" (1500 mm) (Glass Thickness 10 mm)
Glass Depth	7-7/8"~17-23/32" (200~450 mm)
Load Capacity	Max. 77 lbs (35 kg)/Shelf

Detailed View



Type "C" Part Details

No.	Item No.	Part Name	Dimensions	Description
-	XL-US02-S006	Vertical Frame (1 Slot Type)	<p>9/16" (39.5 mm) -3/16" (10 mm) Height Adjustable Max. 102" (2616 mm) 1-5/8" (41.5 mm) 3/8" (10 mm) Height Adjustable A-A Cross Section</p>	<ul style="list-style-type: none"> ● Material Aluminum, Zinc Alloy ● Finish/Color Anodized, Grey ● Length Max. Height: 102-3/8" (2600 mm) (Floor to Ceiling) <p>*2 leveling legs included per frame *For use as an end frame.</p>
①	XL-US02-S007	Vertical Frame (2 Slot Type)	<p>1-9/16" (39.5 mm) 3/8" (10 mm) Height Adjustable Max. 102" (2616 mm) 1-5/8" (41.5 mm) 3/8" (10 mm) Height Adjustable A-A Cross Section</p>	<ul style="list-style-type: none"> ● Material Aluminum, Zinc Alloy ● Finish/Color Anodized, Grey ● Length Max. Height: 102-3/8" (2600 mm) (Floor to Ceiling) <p>*2 leveling legs included per frame *For use as an intermediate frame in an installation with adjacent bays.</p>
②	XL-US01-S200	Shelf Clamp (For Glass Shelf)	<p>7-7/8" (200 mm) 1-1/2" (37.5 mm) 5-13/16" (147 mm) 1/16" (2 mm) 1-3/4" (45 mm) 5/16" or 3/8" (8 or 10 mm)</p>	<ul style="list-style-type: none"> ● Material Zinc Alloy, Elastomer ● Finish/Color Matte Chrome, Black ● Glass Thickness 5/16", 3/8" (8 mm, 10 mm) <p>*2 Clamps necessary for 1 Shelf *Glass Shelf not included</p>

Type "C" Optional Part Overview Please see P.508~P509 for details

Part Name	Shelf Support (For Wood Shelf)	Shelf Edge (For Wood Shelf)	Shelf Support for Glass (Angle Adjustable)	Shelf Edge (For Glass Shelf)	Edge Cover
Item No.	XL-US02-S002	XL-US02-S014	XL-US02-S003	XL-US02-S015	AF-25-P01-25
Part Name	Center Panel Clamp	Center Panel Clamp	Center Panel Clamp Fastener	Wall Mounting Bracket	Wall Mounting Bracket
Item No.	9344VA2	4856ZN1, 4856ZN5	XL-US02-S012	XL-US02-S008	XL-US02-S009

Application Example

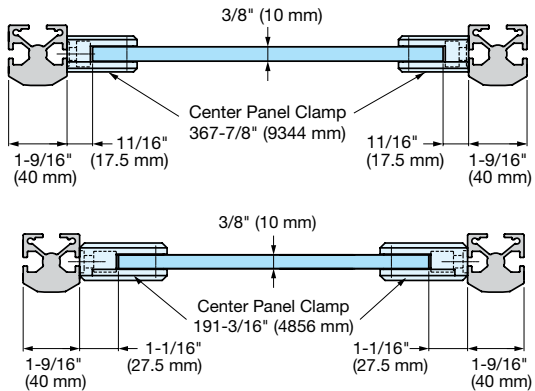
SHELF & SUPPORT HARDWARE

UNIT SHELF

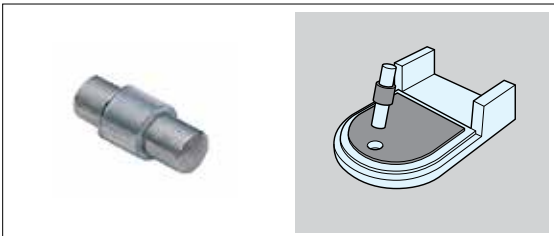


Wire kit and halogen lamp are not provided

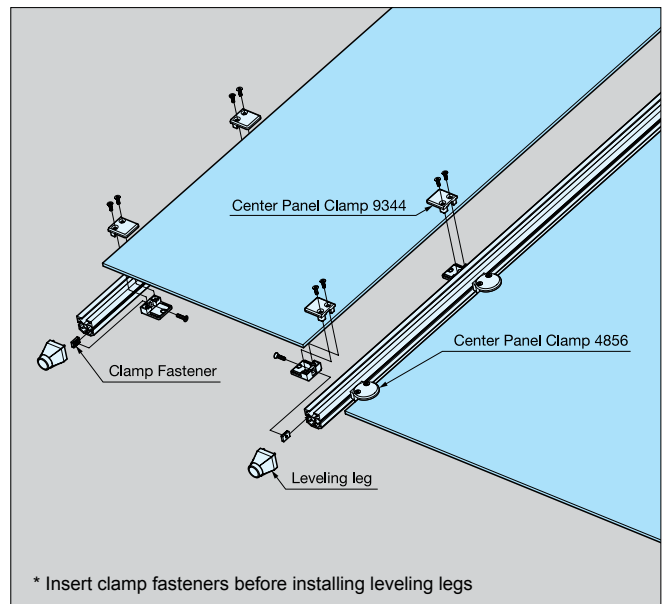
Installation with Center Panel Clamp



Safety Pin (Optional)



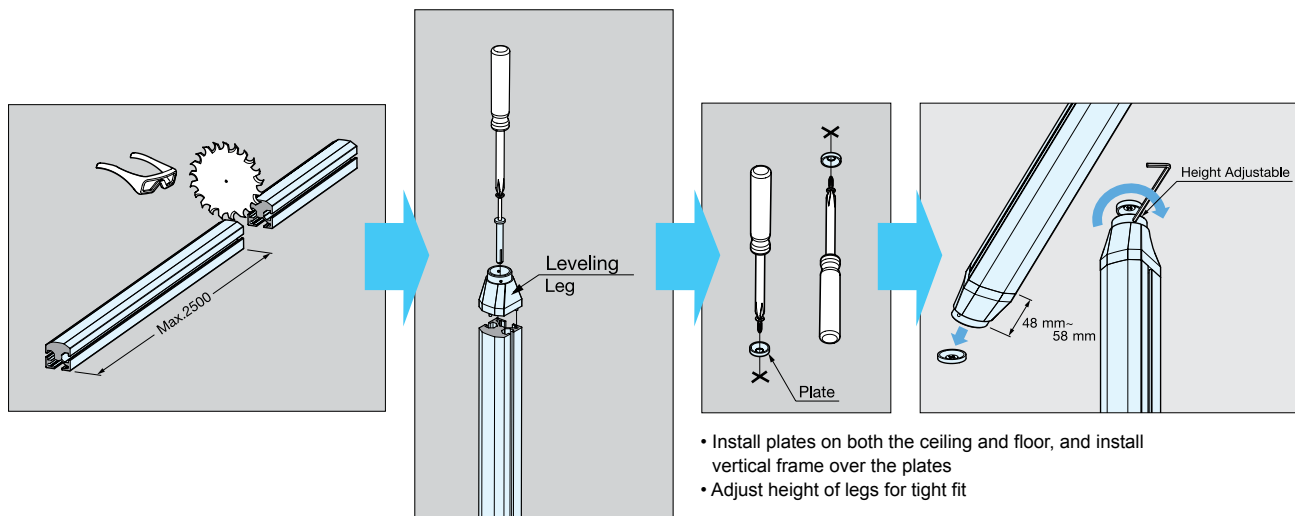
* Prevents glass from slipping out from clamp.



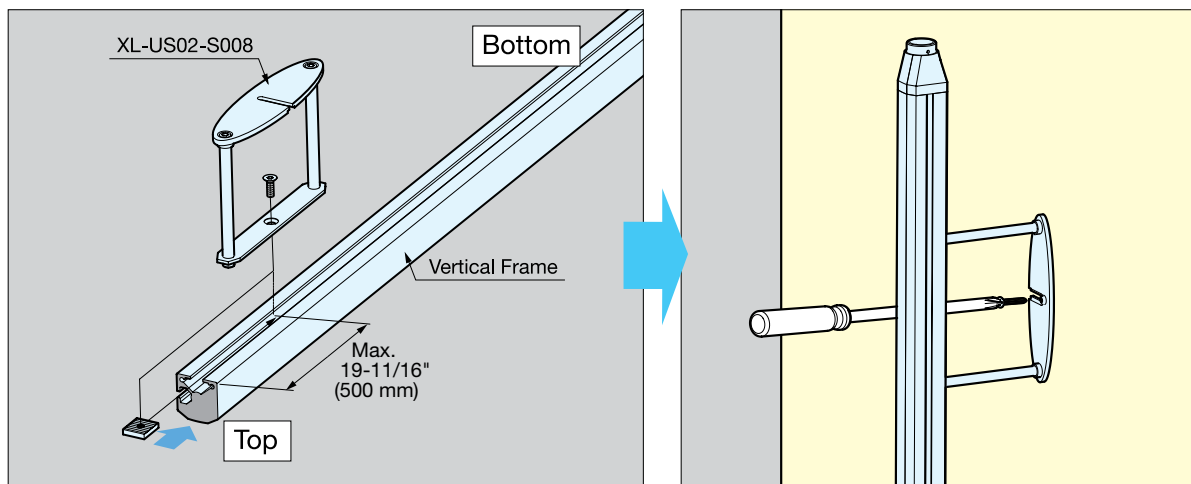
* Insert clamp fasteners before installing leveling legs

INSTALLATION (TYPE B/C)

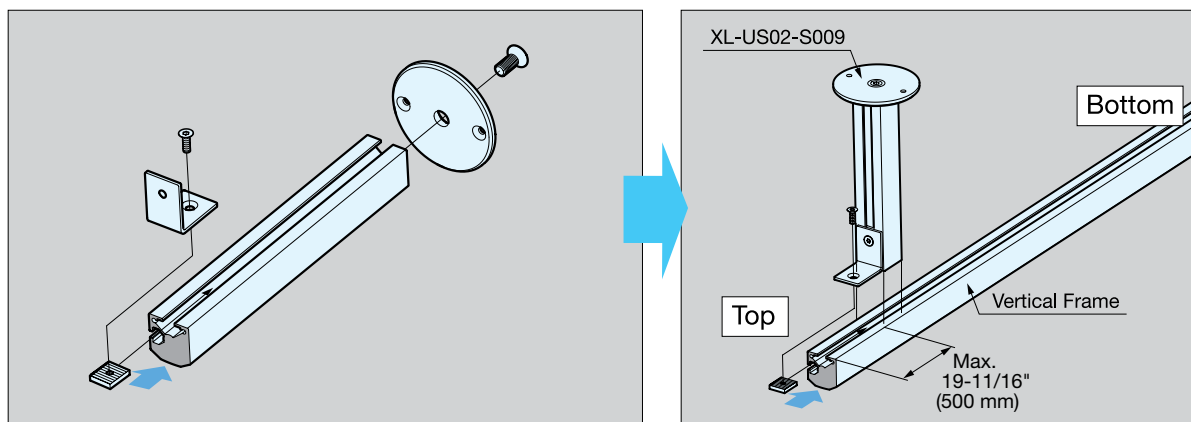
Vertical Frame Installation (For top/bottom pressure fit)



Wall Mounting Bracket Installation (1) (XL-US02-S008)



Wall Mounting Bracket Installation (2) (XL-US02-S009)



Optional Part Details (Type B/C)

No.	Item No.	Part Name	Dimensions	Description
①	XL-US02-S010	Wall Mounting Plate (For Type B)	<p> $\phi 3-15/16''$ ($\phi 100$ mm) $1/4''$ (6 mm) $3''$ (76 mm) </p>	<ul style="list-style-type: none"> ● Material Aluminum ● Finish/Color Anodized *To be used with Main Frame (1 Slot Type) *For Type B
②	XL-US02-S008	Wall Mounting Bracket	<p> $7/8''$ (22 mm) $6-11/16''$ (170 mm) $4-3/4''$ (120 mm) $1-13/16''$ (46 mm) </p>	<ul style="list-style-type: none"> ● Material 304 Stainless Steel, Steel ● Finish/Color Grey
③	XL-US02-S009	Wall Mounting Bracket	<p> $4-3/4''$ - $11-13/16''$ (120-300 mm) $1/4''$ (6 mm) $3''$ (76 mm) </p>	<ul style="list-style-type: none"> ● Material Aluminum ● Finish/Color Anodized
④	XL-US02-S002	Shelf Support (For Wood Shelf)	<p> $4-1/16''$ (102.5 mm) $3-1/8''$ (80 mm) $3/16''$ (5 mm) $5/16''$ (8 mm) </p>	<ul style="list-style-type: none"> ● Material 304 Stainless Steel ● Finish/Color Plain *Shelf not included *For Type C
⑤	XL-US02-S003	Shelf Support for Glass (Angle Adjustable)	<p> $1-3/16''$ (30 mm) $3/8''$ (10 mm) $1-9/16''$ ($\phi 40$ mm) $13/16''$ (20 mm) $1-9/16''$ (40 mm) $3/16''$ (5 mm) $1-3/16''$ (30 mm) </p>	<ul style="list-style-type: none"> ● Material 304 Stainless Steel ● Finish/Color Polished, Plain ● Glass Thickness 10 mm *Angle adjustable each 30 degrees *Glass not included *For Type C *Pre-drilled holes (countersunk) required on glass *Please order special wrench Z058 for installation
⑥	XL-US02-S014	Shelf Edge (For Wood Shelf)	<p> $15-3/4''$ (400 mm) $2''$ (50 mm) $3/16''$ (5 mm) </p>	<ul style="list-style-type: none"> ● Material Aluminum ● Finish/Color Anodized *Prevents items falling off from shelves *For wood shelf *To be mounted on side edge *For Type C
⑦	XL-US02-S015	Shelf Edge (For Glass Shelf)	<p> $15-3/4''$ (400 mm) $2''$ (50 mm) $3/16''$ (5 mm) $9-7/16''$ (240 mm) </p>	<ul style="list-style-type: none"> ● Material Aluminum, Zinc Alloy ● Finish/Color Anodized, Matte Chrome *Prevent items from falling off *For glass shelf *To be mounted on front or back edge *For Type C

