

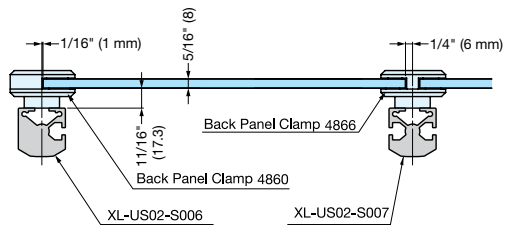
- Adjustable shelf height.
- Designed for ceiling to floor pressure fit installation with extendable leveling glides.
- Can also be wall mounted by using optional wall mounting bracket. XL-US02-S010 (sold separately).
- Please see P.502~P.503 for part details.

Glass Thickness	5/16" (8 mm) or 3/8" (10 mm)
Overall Height	Max. 103" (2616 mm)
Glass Width	Max. 47-1/4" (1200 mm) (Glass Thickness 8 mm) Max. 59-3/64" (1500 mm) (Glass Thickness 10 mm)
Glass Depth	15-3/4"~17-23/32" (400~450 mm)
Load Capacity	Max. 66 lbs (30 kg)/Shelf

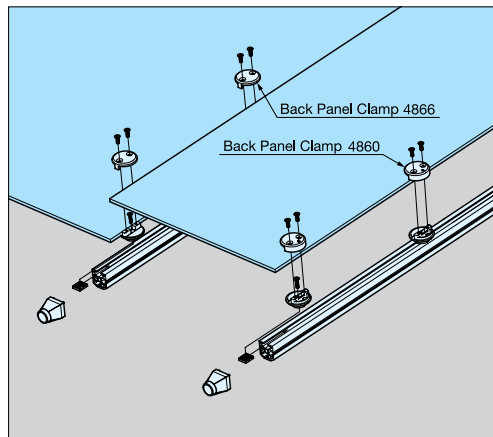
Sample Installation



Back Panel Installation

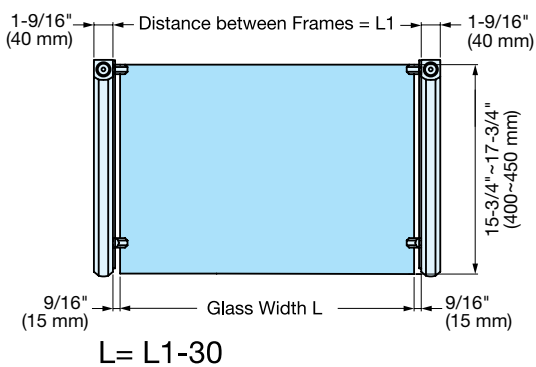


Back Panel Clamp Installation

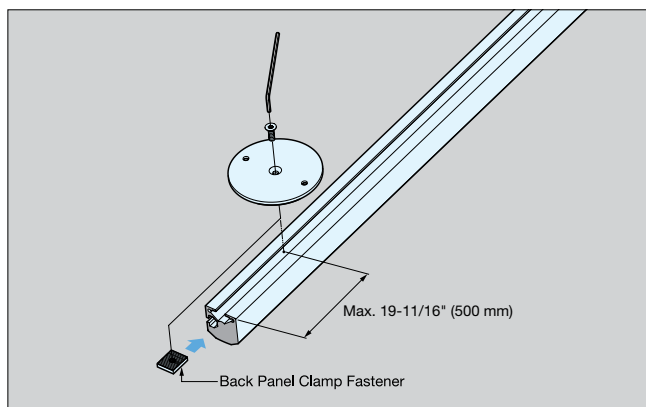


*Insert clamp fasteners before mounting leveling legs.

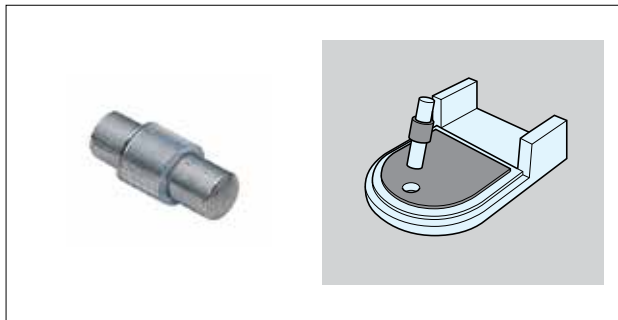
Glass Shelf Dimensions



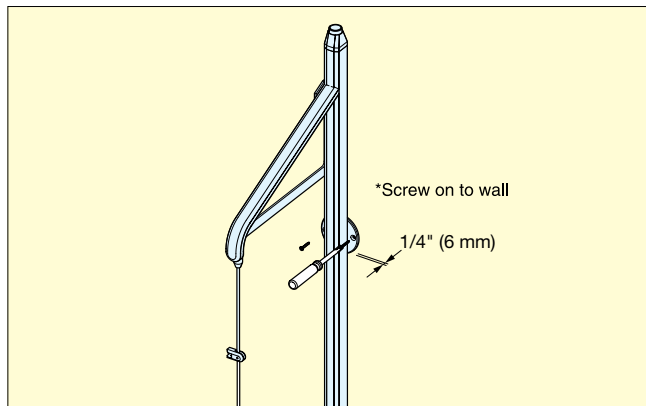
Vertical Frame Installation



Safety Pin for glass clamp (Optional)



* Prevents glass slipping out from clamp

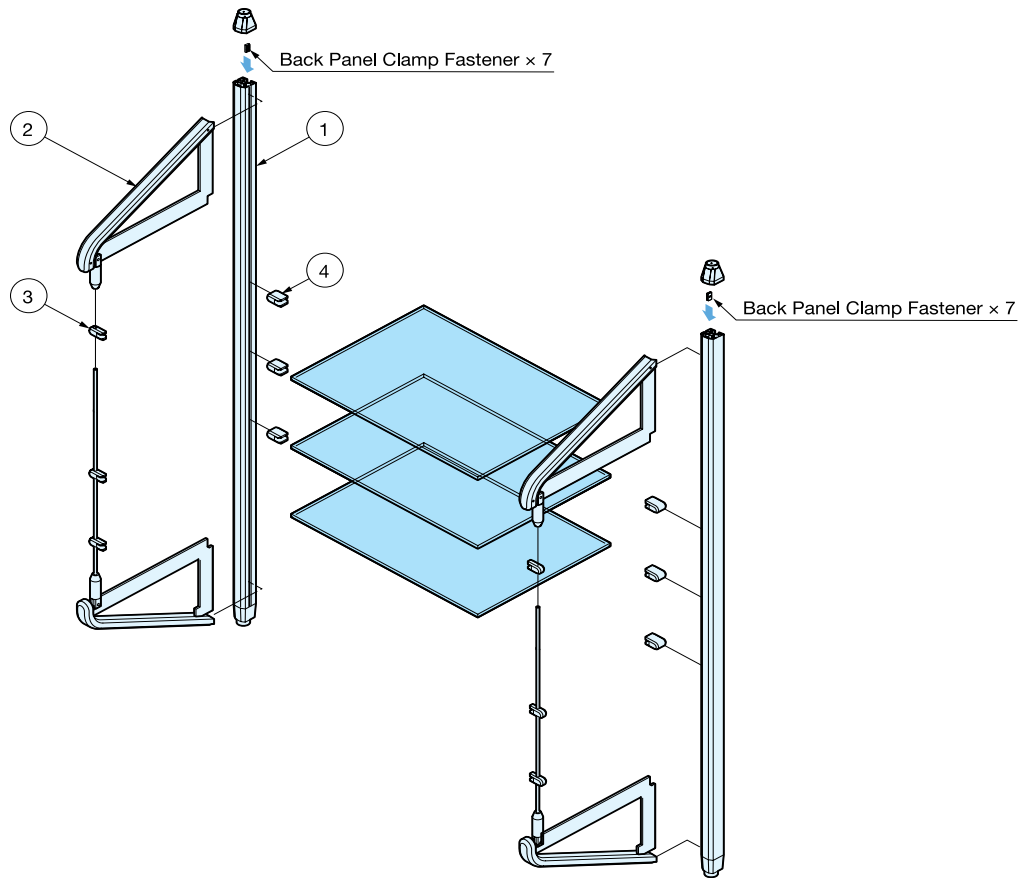


* Please refer to P.503 for Alternate Vertical Frame Installation

Detailed View

SHELF & SUPPORT HARDWARE

UNIT SHELF TYPE "B"



"Type B" Part Details

No.	Item No.	Part Name	Dimensions	Description
①	XL-US02-S006	Vertical Frame (1 Slot Type)		<ul style="list-style-type: none"> ● Material Aluminum, Zinc Alloy ● Finish/Color Anodized, Grey ● Length Max. Height: 102-3/8" (2600 mm) (Floor to Ceiling) <p>*2 leveling legs included per frame *Double slotted frame available. Please see XL-US02-S007 on page 505 for details.</p>
②	XL-US02-S011	Type B Wire Kit		<ul style="list-style-type: none"> ● Material Aluminum, Steel, 430 Stainless Steel ● Finish/Color Matte Chrome <p>*For Main Frame 2100 mm~2500 mm</p>

No.	Item No.	Part Name	Dimensions	Description
③	XL-US01-F20	Type B Shelf Support (For Wire Shaft)	 	<ul style="list-style-type: none"> ● Material Zinc Alloy ● Finish/Color Matte Chrome *2 Supports necessary for 1 Shelf
④	XL-US01-B20	Type B Shelf Support (For Main Frame, 2pcs/shelf)	 	<ul style="list-style-type: none"> ● Material Zinc Alloy ● Finish/Color Matte Chrome *2 Supports necessary for 1 Shelf

Type "B" Optional Part Overview Please see page P.508~P.509 for details

Part Name	Wall Mounting Plate	Wall Mounting Bracket	Wall Mounting Bracket
Item No.	XL-US02-S010	XL-US02-S008	XL-US02-S009

Part Name	Back Panel Clamp	Back Panel Clamp Fastener	Edge Cover
Item No.	4866ZN1, 4866ZN5	XL-US02-S013	AF-25-P01-25