

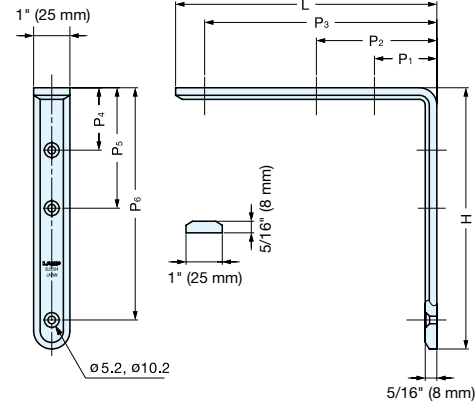
ANGLE BRACKET



XL-SA01



• Stainless steel bracket with soft and sleek design.



| Material | Finish |
|---------------------|-----------------------|
| 304 Stainless Steel | Satin (S), Mirror (M) |

| Item No. | | L | H | P ₁ | P ₂ | P ₃ | P ₄ | P ₅ | P ₆ | Holes | Load Capacity | Weight (g) | Box (pcs) | Carton (pcs) |
|---------------|---------------|----------------|----------------|----------------|----------------|----------------|----------------|----------------|----------------|-------|----------------|------------|-----------|--------------|
| Satin | Mirror | | | | | | | | | | | | | |
| XL-SA01-120/S | XL-SA01-120/M | 4-3/4" (120) | 4-3/4" (120) | 1-1/2" (38) | - | 3-15/16" (100) | 1-1/2" (38) | - | 3-15/16" (100) | 4 | 50 lbs (23 kg) | 312 | 8 | 40 |
| XL-SA01-150/S | XL-SA01-150/M | 5-15/16" (150) | 5-15/16" (150) | - | - | 5-1/8" (130) | - | - | 5-1/8" (130) | 4 | 39 lbs (18 kg) | 400 | 6 | 30 |
| XL-SA01-180/S | XL-SA01-180/M | 7-1/16" (180) | 7-1/16" (180) | 1-11/16" (43) | 3-1/4" (83) | 6-5/16" (160) | 1-11/16" (43) | 3-1/4" (83) | 6-5/16" (160) | 6 | 30 lbs (14 kg) | 483 | 4 | 20 |
| XL-SA01-240/S | XL-SA01-240/M | 9-7/16" (240) | 9-7/16" (240) | - | | 8-11/16" (220) | 8-11/16" (220) | | | | | | | |

() units in mm.

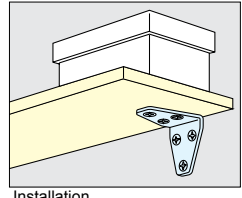
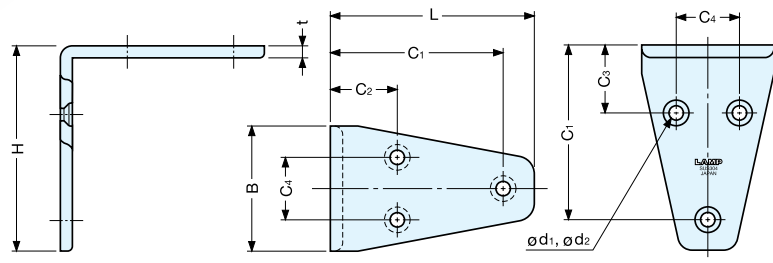
ANGLE BRACKET



SV



• Stainless steel angle bracket for applications where corrosion is an issue.



| Material | Finish |
|---------------------|-----------------------|
| 304 Stainless Steel | Mirror (M), Satin (S) |

| Item No. | L | H | C ₁ | C ₂ | C ₃ | C ₄ | B | t | d ₁ | d ₂ | Holes | Load Capacity | Weight (g) | Box (pcs) | Carton (pcs) | Screw | |
|----------|---------|--------------|----------------|----------------|----------------|----------------|--------------|----------------|----------------|----------------|-------------|---------------|----------------|-----------|--------------|-------|----------|
| SV-40/M | SV-40/S | 1-9/16" (40) | 1-9/16" (40) | 1-5/16" (34) | 11/16" (17) | 11/16" (17) | - | 1" (25) | 1/8" (3) | 1/8" (3.3) | 1/4" (6.5) | 4 | 18 lbs (8 kg) | 29 | 40 | 640 | 3.1 × 20 |
| SV-55/M | SV-55/S | 2-3/16" (55) | 2-3/16" (55) | 1-7/8" (47) | 11/16" (18) | 11/16" (18) | 11/16" (17) | 1-7/16" (36.5) | 1/8" (3.8) | 5/16" (7.5) | 6 | 58 | | 20 | 320 | | |
| SV-80/M | SV-80/S | 3-1/8" (80) | 3-1/8" (80) | 2-13/16" (71) | 15/16" (24) | 15/16" (24) | 1-1/16" (27) | 2-1/16" (52) | 3/16" (4) | 3/16" (4.3) | 5/16" (8.5) | 6 | 31 lbs (14 kg) | 162 | 10 | 120 | 3.8 × 20 |

() units in mm.