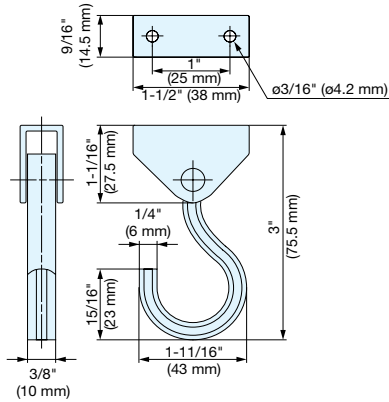


# SWING HOOK



# XL-JSF40TT



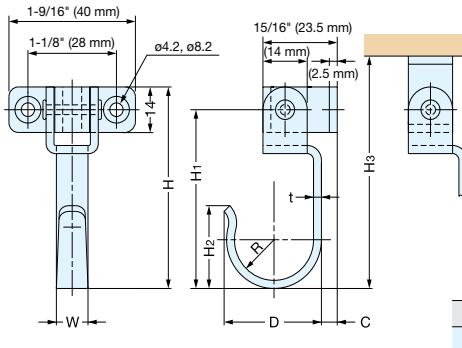
• Vertical swivel allows for under mount applications.

Item No.	Load Capacity	Weight (g)	Box (pcs)	Carton (pcs)	Part Name	Material	Finish
XL-JSF40TT	110 lbs (50 kg)	70	20	120	Hook	303 Stainless Steel	Mirror/Satin Combination
					Bracket	304 Stainless Steel	

# SWING HOOK



# UC



• Vertical swivel allows for under mount applications.

Material	Finish
304 Stainless Steel	Satin

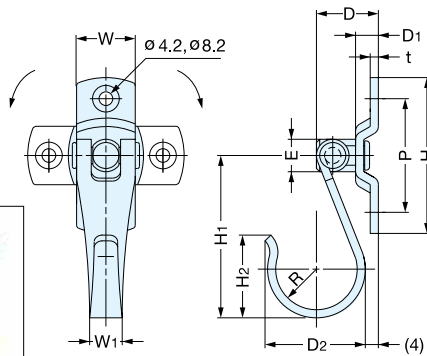
Item No.	W	D	H	H <sub>1</sub>	H <sub>2</sub>	H <sub>3</sub>	C	R	t	Load Capacity	Weight (g)	Box (pcs)	Carton (pcs)
UC-048	3/8" (9)	1" (24.9)	2-3/16" (55)	1-7/8" (48)	13/16" (21.4)	2-9/16" (64.5)	1/4" (6.5)	3/8" (10.0)	1/16" (2.0)	12 lbs (5.6 kg)	37	40	400
UC-055	3/8" (10)	1-3/16" (30.8)	2-7/16" (62)	2-3/16" (55)	1" (25.5)	2-13/16" (71.5)	3/16" (5.0)	1/2" (12.5)	1/8" (2.5)	14 lbs (6.7 kg)	45	25	250

(units in mm)

# SWING HOOK



# UJ



• Rotates 360° and swivels 180°.  
• Can be mounted in various directions.

Material	Finish
304 Stainless Steel	Satin

Item No.	W	W <sub>1</sub>	D	D <sub>1</sub>	D <sub>2</sub>	H	H <sub>1</sub>	H <sub>2</sub>	P	E	R	t	Load Capacity	Weight (g)	Box (pcs)	Carton (pcs)
UJ-040	5/8" (16)	3/8" (9)	5/8" (16.5)	1/4" (5.5)	1" (24.9)	1-5/8" (42)	1-9/16" (40)	13/16" (21.4)	1-3/16" (30)	3/8" (9)	3/8" (10.0)	2.0" (2.0)	14 lbs (6.7 kg)	27	50	500
UJ-050	11/16" (18)	3/8" (10)	3/4" (19.0)	1/4" (7.0)	1-3/16" (30.8)	1-7/8" (48)	2" (50)	1" (25.5)	1-3/8" (35)	3/8" (10)	1/2" (12.5)	1/8" (2.5)	19 lbs (8.9)	45	30	300

(units in mm)