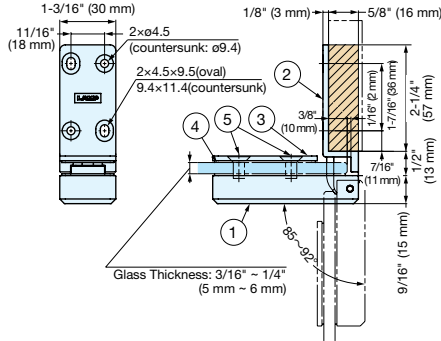


GLASS HINGE (OVERLAY/ SOFT-CATCH)

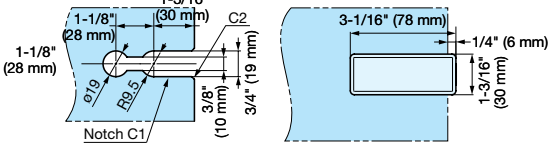
XL-GC07D-CR



- For overlay glass doors. 3/8" (10 mm) Overlay.
- Softly catches doors and keeps them closed.
- Recommended for use with the lock XL-GC01 for total design coordination.



Cut Out Dimension (Glass Door)



No.	Part Name	Material	Finish/Color
①	Body	Zinc Alloy	Chrome
②	Hinge Plate	Zinc Alloy	Chrome
③	Backplate	Steel	Chrome
④	Spacer	Synthetic Rubber	Black
⑤	Glass Fixing Screw	Stainless Steel	Plain

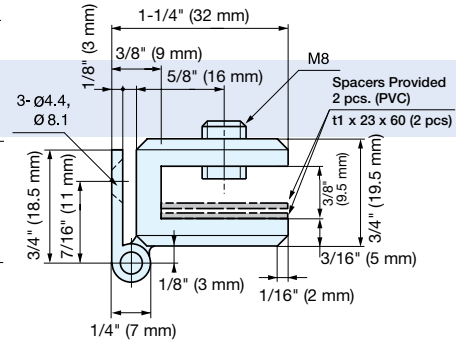
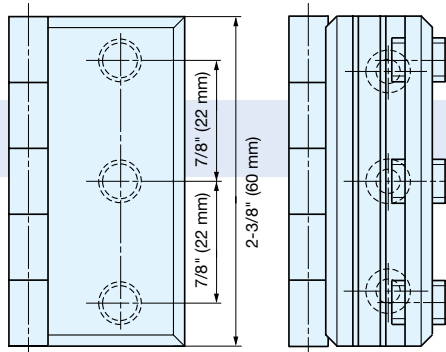
Item No.	Glass Thickness	Load Capacity/ 2 pcs	Door Width	Door Height	Weight (g)	Box (pcs)
XL-GC07D-CR	3/16" ~ 1/4" (5 ~ 6 mm)	16.5 lbf (7.5 kgf)	Max. 19-11/16" (500 mm)	Max. 39-3/8" (1000 mm)	30	1

INSET GLASS DOOR HINGE (PRESSURE FIT)



XL-GH01-600

- Pre-drilling on glass/acrylic not required.
- Door thickness: 5/32", 3/16", 1/4", 5/16" (4, 5, 6, 8 mm)
- Max. Door size: W17-3/4" x H51-3/16" (W450 x H1300 mm)
- Max. Door Weight: 22 lbs/pair (11 kg/pair)
- Please use 2 spacers for 3/16" (4 mm) door thickness.



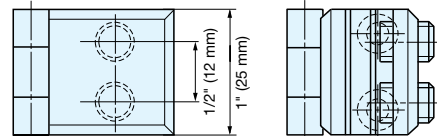
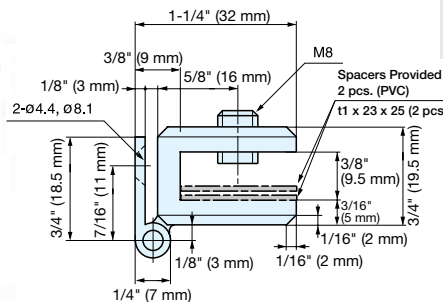
Item No.	Weight (g)	Box (pcs)	Carton (pcs)	Material	Finish
XL-GH01-600	180	10	50	Stainless Steel (SCS13)	Polished

INSET GLASS DOOR HINGE (PRESSURE FIT)



XL-GH01-250

- Pre-drilling on glass/acrylic not required.
- Door thickness: 5/32", 3/16", 1/4", 5/16" (4, 5, 6, 8 mm)
- Max. Door size: W15-3/4" x H23-5/8" (W400 x H600 mm)
- Max. Door Weight: 10.5 lbs/pair (4.8 kg/pair)
- Please use 2 spacers for 5/32" (4 mm) door thickness.



Item No.	Weight (g)	Box (pcs)	Carton (pcs)	Material	Finish
XL-GH01-250	76	10	100	Stainless Steel (SCS13)	Polished