

# OVERLAY DOOR PIVOT HINGE

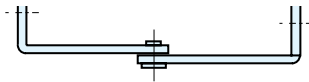


**WP**

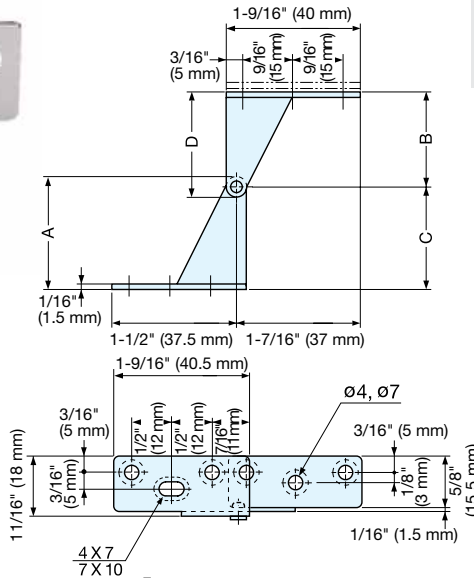
HINGES



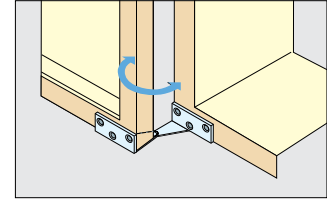
Left handed model shown.



Left-Hand Opening



- Door Size: Max. W11-13/16" × H27-9/16" (W300 × H700 mm)
- Door Thickness:  
WP-1L/R-Max. 15/16" (24 mm)  
WP-3L/R-Max. 11/16" (18 mm)
- Door Weight: Max. 3.9 lbs/pair (1.8 kg/pair)



Installation

Material	Finish
430 Stainless Steel	Plain

Item No.		A	B	C	D	Weight (g)	Box (pcs)	Carton (pcs)
Left	Right							
WP-1L	WP-1R	1-5/16" (34 mm)	1-1/8" (28 mm)	1-3/16" (30.5 mm)	1-1/4" (31 mm)	23	100	1000
WP-3L	WP-3R	1-1/8" (28 mm)	7/8" (22 mm)	15/16" (24.5 mm)	1" (25 mm)	21		

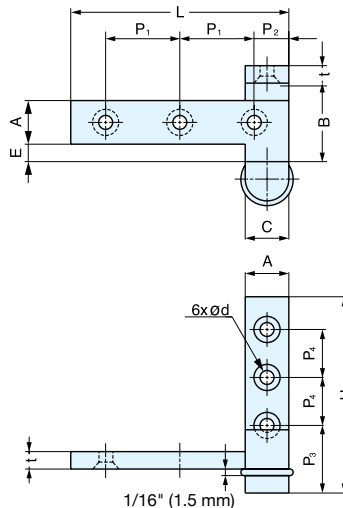
# OVERLAY DOOR PIVOT HINGE



**PAS**

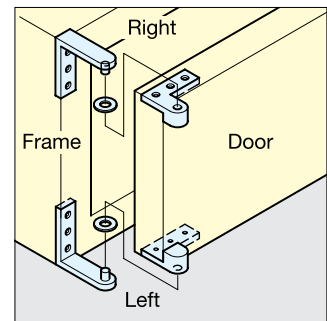


Left handed model shown.



Right handed model shown.

- Door Size: Max. W17-3/4" × H27-9/16" (W450 × H700 mm)
- Recommended Door Thickness:  
PAS-50, 60 : 13/16" (21 mm)  
PAS-80 : 1" (25 mm)  
PAS-95 : 1-3/16" (30 mm)
- Door Weight:  
PAS-50, 60: Max. 5.7 lbs/pair (2.6 kg/pair)  
PAS-80, 95: Max. 8.8 lbs/pair (4 kg/pair)



Installation

Material	Finish
Brass	Satin Nickel

Item No.	L	t	H	A	B	C	E	P <sub>1</sub>	P <sub>2</sub>	P <sub>3</sub>	P <sub>4</sub>	d	Weight (g)	Box (set)	Carton (set)
PAS-50	2" (50)	3/16" (4)	1-3/4" (45)	3/8" (10)	7/8" (22)	3/8" (10)	3/16" (4)	11/16" (17)	5/16" (8)	5/8" (15.5)	7/16" (11)	1/8" (3.2)	43	10	200
PAS-60	2-3/8" (60)	3/16" (4.5)	2" (50)	1/2" (12)		1/2" (12)		13/16" (21)	3/8" (9)	5/8" (16)	1/2" (13.5)	62			
PAS-80	3-1/8" (80)	1/4" (6)	2-3/4" (70)	5/8" (16)	1-1/16" (26.5)	9/16" (15)	3/8" (9)	1-3/16" (30)	3/8" (10)	15/16" (24)	3/4" (19)	3/16" (4.2)	161	8	32
PAS-95	3-3/4" (95)	1/4" (6.5)	3-1/8" (80)	3/4" (19)	1-1/4" (31.5)	5/8" (16)		1-3/8" (35)	1/2" (12.5)	1" (26)	7/8" (22)	233	6	24	

( ) units in mm.

OVERLAY DOOR PIVOT HINGES