

LEVEL ADJUSTABLE SHELVING SYSTEM

SPECIAL ORDER

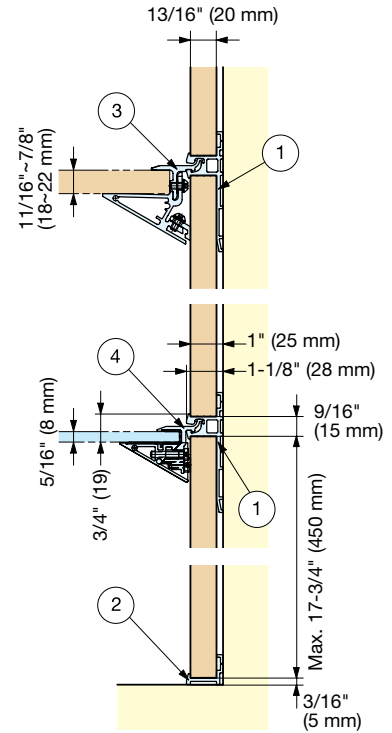
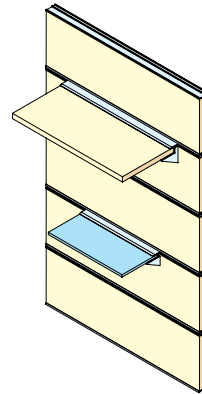
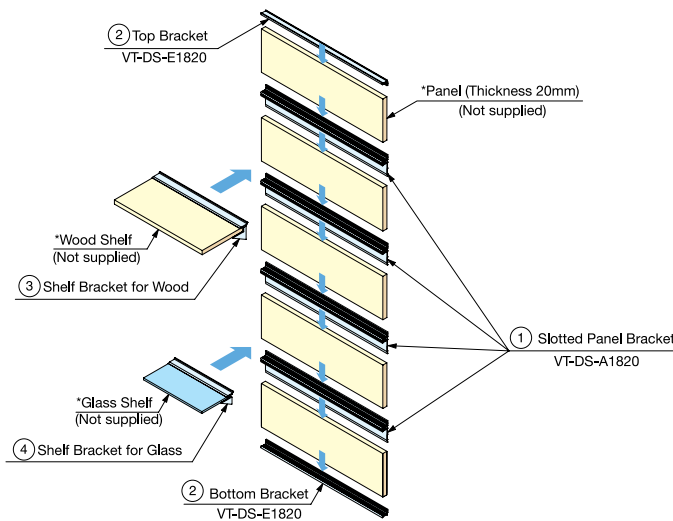
VT-DS

SHELF & SUPPORT HARDWARE

LEVEL ADJUSTABLE SHELVING SYSTEM



- Slotted shelving system for flexible layout.
- Shelves can be installed anywhere in the slot.
- Simple and easy installation.
- Use with desired panel to match the surrounding design.
- Wall Panel Size:
 - Thickness-20 mm
 - Width-Max. 71-21/32" (1820 mm)
 - Height- 4-1/8"~17-23/32" (105~450 mm)
 - * Panel not included.
- Shelf bracket for wood or glass available. (Shelf board not included).
- Level adjustable.



No.	Item No.	Part Name	Dimensions	Material	Finish/Color	Length	Wall Panel Thickness	Shelf Board Size			Load Capacity (kg)
								Width	Depth	Thickness	
①	VT-DS-A1820	Slotted Panel Bracket		Aluminum	Anodized	71-21/32" (1820 mm)	25/32" (20 mm)	-	-	-	-
②	VT-DS-E1820	Top/Bottom Bracket				71-21/32" (1820 mm)	25/32" (20 mm)	-	-	-	-
③	VT-DS-X-450	Shelf Bracket For Wood		Aluminum	Anodized Grey	17-23/32" (450 mm)	-	17-23/32"~23-5/8" (450~600 mm)	5-29/32"~11-13/16" (150~300 mm)	23/32"~7/8" (18~22 mm)	88 lbs (40 kg)
	VT-DS-X-800					31-1/2" (800 mm)	-	31-1/2"~35-7/16" (800~900 mm)	-	-	
④	VT-DS-G-450	Shelf Bracket For Glass		Aluminum	ABS	17-23/32" (450 mm)	-	17-23/32"~23-5/8" (450~600 mm)	5-29/32"~11-13/16" (150~300 mm)	5/16" (8 mm)	22 lbs (10 kg)
	VT-DS-G-685					26-31/32" (685 mm)	-	26-31/32"~35-7/16" (685~900 mm)	-	-	