

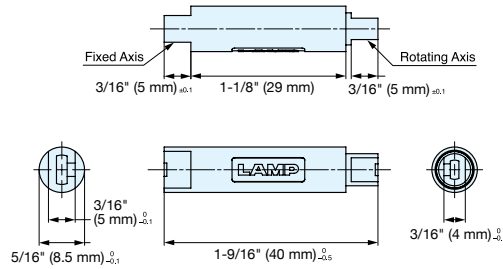
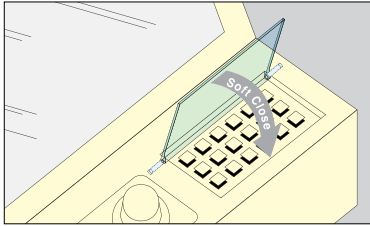
# ROTARY DAMPER



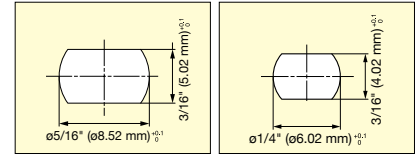
## URD8-3



- 360 degree rotary damper.
- Cylindrical shape for concealed application.
- For inset applications.



Cut-Out Dimension



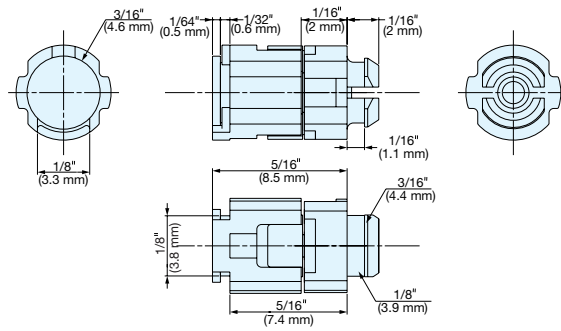
Item No.	Material	Finish	Torque per piece	Weight (g)
URD8-3	Polyacetal	Plain	0.19~0.26 lbs·in (0.22~0.39 kgf·cm)	2.5

# MICRO DETENT HINGE

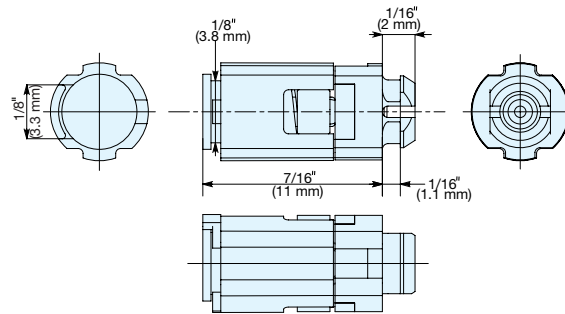


## MPH

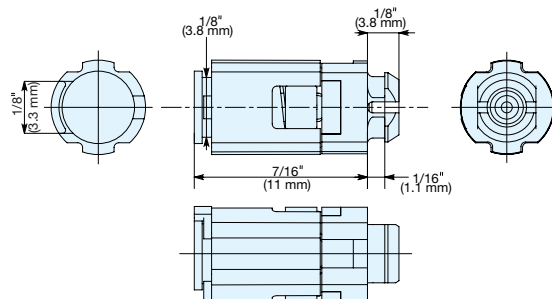
### MPH-20-5



### MPH-22



### MPH-30



Item No.	Weight (g)	Carton (pcs)
MPH-20-5	0.46 (0.02 oz)	4000
MPH-22	0.62 (0.02 oz)	
MPH-30	1.01 (0.04 oz)	

Part Name	Material	Finish
Body	Polyacetal	Grey
Spindle	Steel	Yellow Zinc Chromate