

# MULTI-ANGLE LID STAY

STAINLESS  
**304**  
STEEL

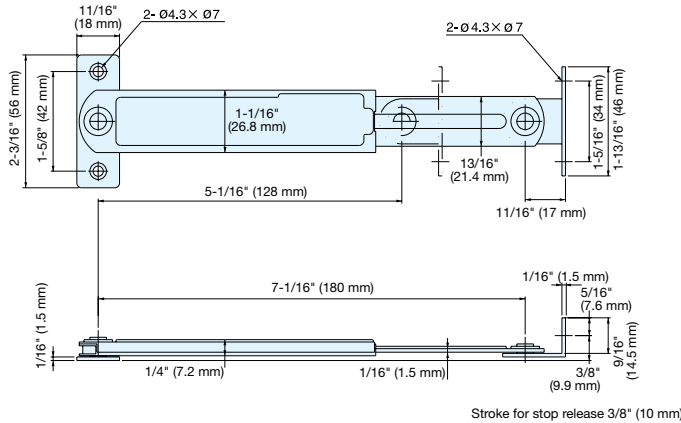
LOAD CAPACITY  
7 kg  
15 lbs

STAINLESS

## U-3031



- Ratcheting stay holds flap lid at multiple angles.
- Non-handed.
- Thin and compact design.
- Completely open the door to release lock.
- Completely close the door to re-engage the lock.



Material	Finish
304 Stainless Steel	Satin

Item No.	Stop Positions	Load Capacity	Weight (g)	Box (pcs)	Carton (pcs)
U-3031	15	15 lbs (7 kg)	127	10	100

# LID STAY (W/LOCK)

STAINLESS  
**304**  
STEEL

LOAD CAPACITY  
30 kg  
66 lbs

TEST 15  
P.698

NO SCREW

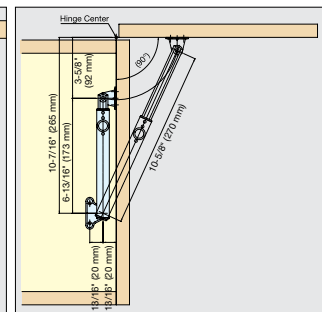
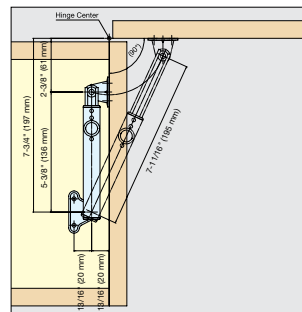
## LSP



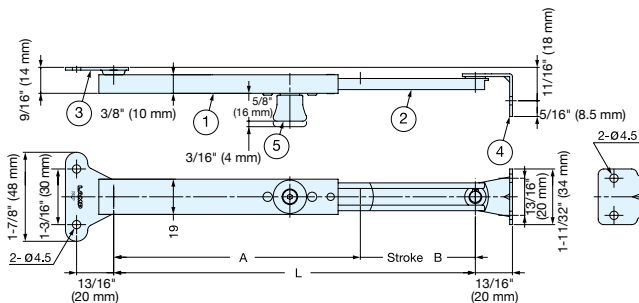
- Automatically locks lid when fully opened.
- Pull the locking knob to release lock.
- Ideal for vibration or shock applications.
- Can be installed individually or in pairs.
- Non-Handed : Can be installed on left or right side.

LSP-195B

LSP-270B



\*Lid stay must be installed parallel to the sidewall.



No.	Part Name	Material	Finish/Color
①	Case	304 Stainless Steel	Satin
②	Arm		
③	Case Bracket		
④	Arm Bracket		
⑤	Locking knob	ABS	Dark Grey

Item No.	L	A	B	Load Capacity	Weight (g)	Box (pcs)	Carton (pcs)
LSP-195B	7-11/16" (195 mm)	5-1/4" (133 mm)	2-7/16" (62 mm)	66 lbs (30 kg)	126	6	60
LSP-270B	10-5/8" (270 mm)	6-11/16" (170 mm)	3-15/16" (100 mm)		147		