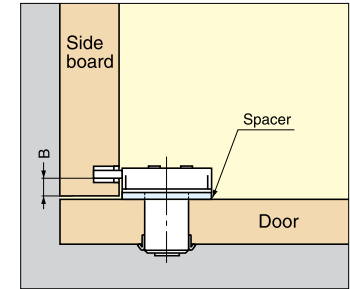
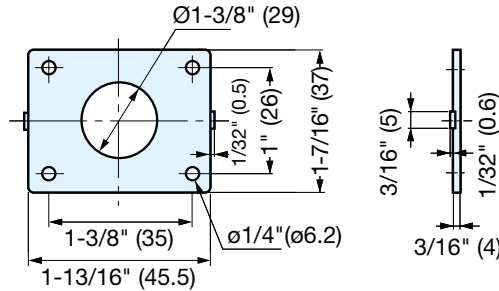


SPACER

TSSP



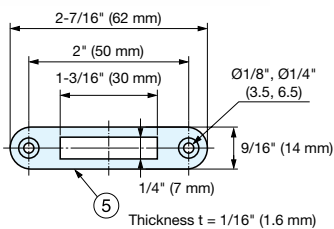
- Spacer for 2100, 2200, 2650, 3310 and 3320 locks.
- Use when additional distance on dimension B required.
- Thickness: 3/16" (4 mm).
- Multiple spacers can be used if needed.

Item No.		Weight (g)	Box (pcs)	Carton (pcs)	Material	Color
TSSP-W	TSSP-B	14	150	1500	ABS	White/Black

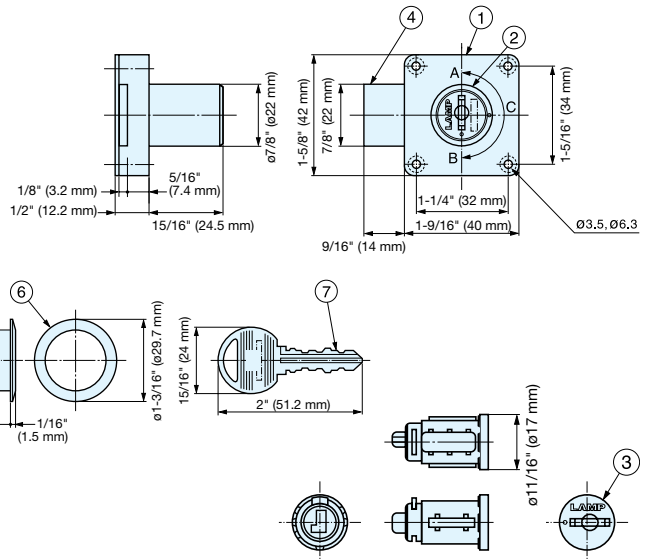
CABINET LOCK



5830-24MK

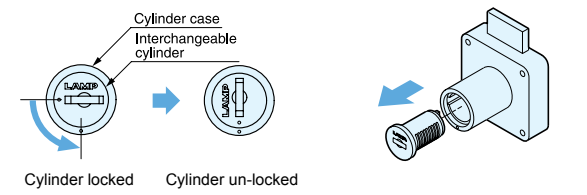


- Interchangeable Cylinder Lock.
- Inner cylinder can be replaced, ideal for applications where keys are often lost, and key numbers need to be changed for security.
- Long dead bolt.
- Lock housing, cylinder and 2 keys supplied per set.
- Cylinder housing Diameter: 7/8" (22 mm)
- Maximum 3,120 key changes available. (780 per master key.)
- Master Key, Cylinder Change Key and Cylinder for replacement sold separately.
 Master Key - 5830-MK1
 Cylinder Change Key - 5830-K1
 Replacement Cylinder - 5830-N1



To remove the cylinder:

Turn cylinder by using cylinder change key (optional).
 Match dots on cylinder and case.
 Pull key to detach.



No.	Part Name	Material	Finish
①	Body	Zinc Alloy	Nickel
②	Cylinder Housing	Steel	
③	Interchangeable Cylinder	Zinc Alloy	
④	Dead Bolt	Steel	
⑤	Counterplate		
⑥	Ring	Brass	
⑦	Key		

Item No.	Door Thickness	Weight (g)	Box (pcs)	Carton (pcs)
5830-24MK	15/16" (24 mm)	155	12	60