

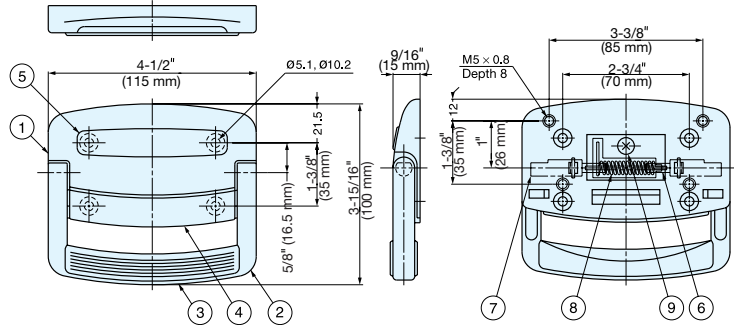
# TRUNK HANDLE

**TEST 1**  
P.696



# TMU-115

- Spring loaded trunk handle.
- Designed for both surface and back mount.
- Durable construction.
- Rubber pad on handle for good grip.



Item No.	Load Capacity	Weight (g)	Box (pcs)	Carton (pcs)
TMU-115	80 lbs (40 kg)	460	10	40

No.	Part Name	Material	Finish
①	Body	Zinc Alloy	Chrome
②	Handle		
③	Grip	Synthetic Rubber	Black
④	Case Cover 1		
⑤	Case Cover 2	Steel	Yellow Zinc Chromate
⑥	Back Case		
⑦	Shaft		
⑧	Spring		
⑨	Screw		

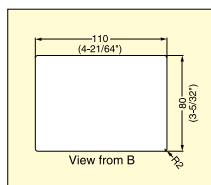
# TRUNK HANDLE

**TEST 1**  
P.696

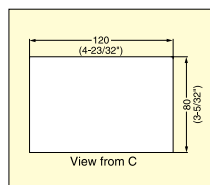


# PT-148

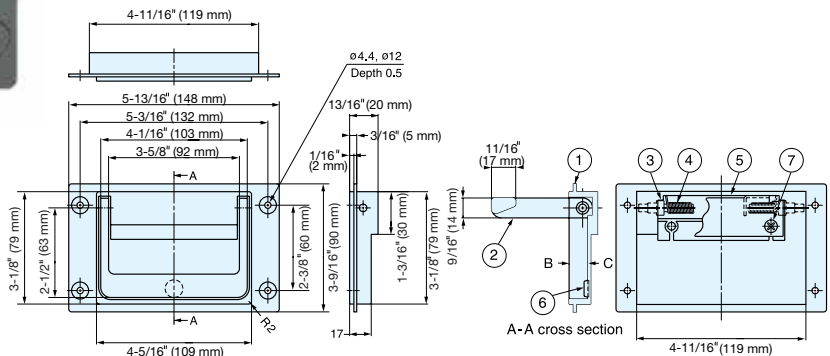
- Spring loaded trunk handle.
- Designed to be back mounted on sheet metal.



Cut Out Dimensions for back mount



Cut Out Dimensions for surface mount



Item No.	Load Capacity	Weight (g)	Box (pcs)	Carton (pcs)
PT-148	110 lbs (50 kg)	645	10	100

No.	Part Name	Material	Finish
①	Body	Zinc Alloy	Grey
②	Handle		
③	Shaft	Steel	Plain
④	Spring		
⑤	Back Case	Steel	Yellow Zinc Chromate
⑥	Bumper		
⑦	Screw		