

PUSH KNOB LATCH

TEST 11
P.697

STEEL
3x16
3x20

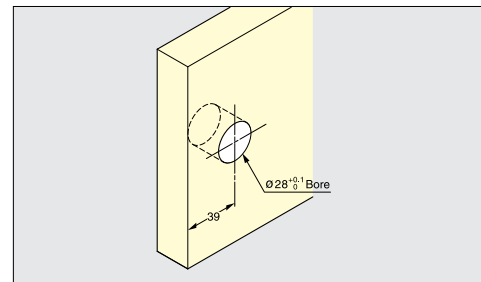
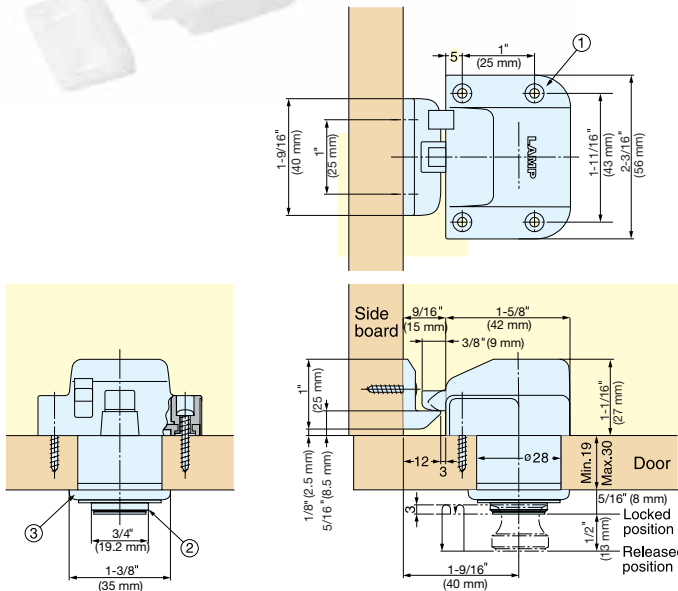
TLP

CATCHES & LATCHES

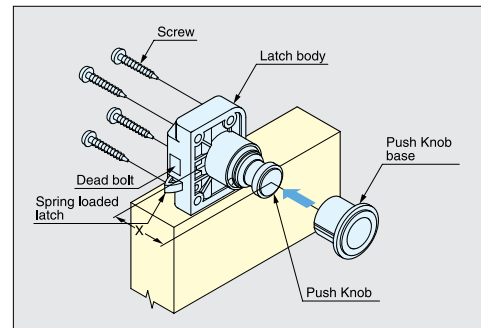
PUSH KNOB LATCHES



- Door Thickness: 3/4" ~ 1-3/16" (19 mm ~ 30 mm)
- Door will be locked when knob is pushed in.
- Dead bolt to securely lock the door.
- Holding Force : 44 lbs (20 kg)
- Non-handed.
- Order Latch Body (TLP-LBM/WHT) and Push Knob (TLP-BB/XX) for complete set.
- Ideal for cabinets in boats, buses, and RVs.

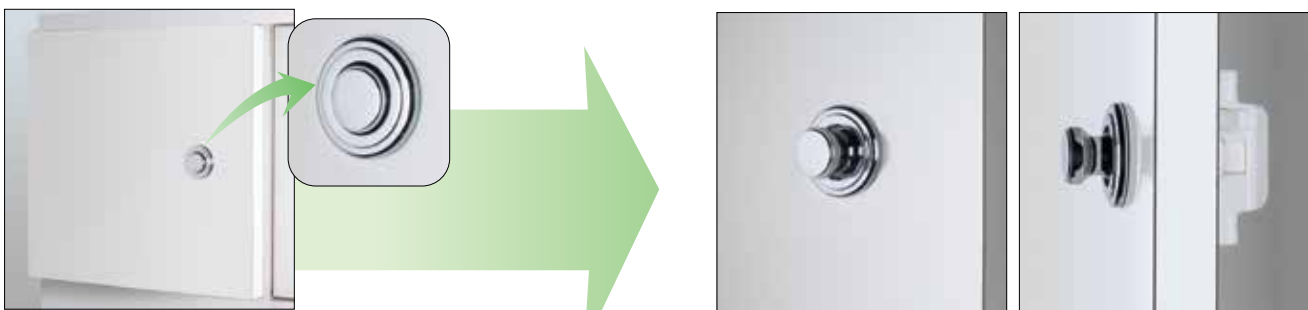


Bore Dimensions (Inset Door Application)



Installation

(Overlay Door Application)



■ Supplied with 2 threaded screws (L=24 mm and 30 mm).

No.	Part Name	Material	Finish	
			Knob	Latch
①	Latch Body	Polyamide	Satin Nickel (SN) Polished Brass (PB) Chrome (CR)	White
②	Push Button	Brass		
③	Push Button Base	Zinc Alloy		

Item No.	Part Name	Holding Force	Weight (g)	Box (pcs)	Carton (pcs)
TLP-BB/SN	Push Knob and Base	44 lbs (20 kg)	77	25	200
TLP-BB/PB					
TLP-BB/CR					
TLP-LBM/WHT					

Threaded screw	Door Thickness	Dimension X
L = 24	3/4" (19 mm)	1-9/16" (40.5 mm)
	13/16" (20 mm)	1-5/8" (41.5 mm)
	13/16" (21 mm)	1-11/16" (42.5 mm)
	7/8" (22 mm)	1-11/16" (43.5 mm)
	15/16" (23 mm)	1-3/4" (44.5 mm)
	15/16" (24 mm)	1-13/16" (45.5 mm)
L = 30	1" (25 mm)	1-13/16" (46.5 mm)
	1" (26 mm)	1-7/8" (47.5 mm)
	1-1/16" (27 mm)	1-15/16" (48.5 mm)
	1-1/8" (28 mm)	1-15/16" (49.5 mm)
	1-1/8" (29 mm)	2" (50.5 mm)
	1-3/16" (30 mm)	2" (51.5 mm)