

PUSH KNOB BAR LATCH



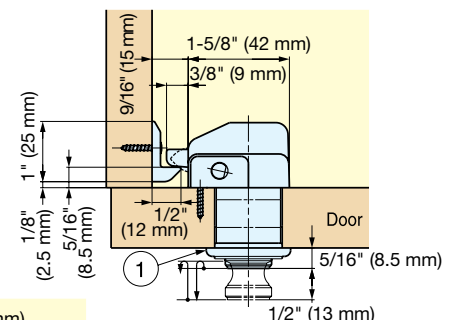
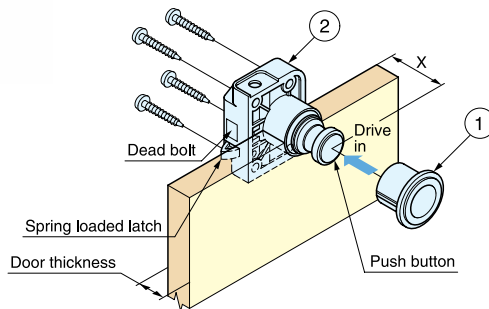
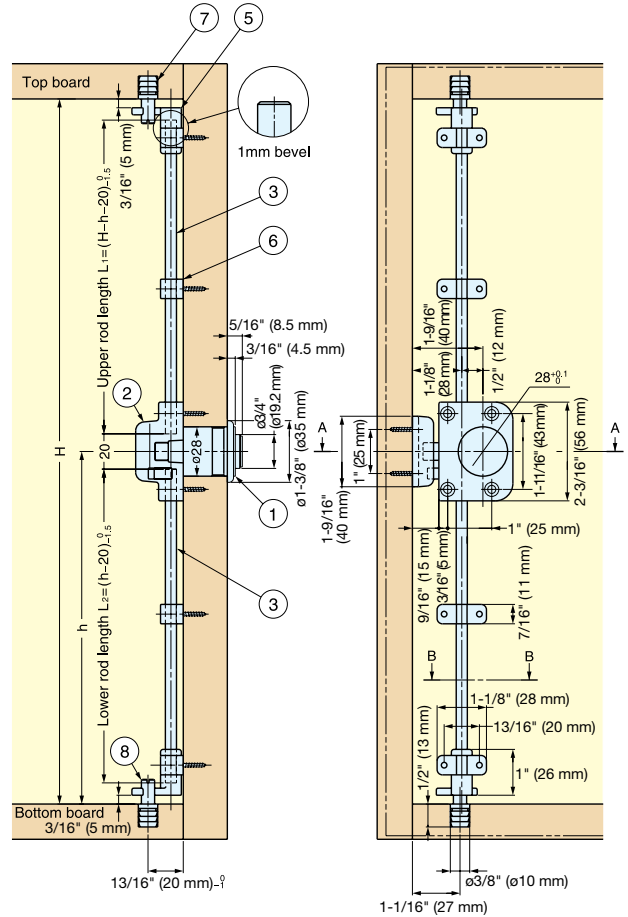
TLP 3POINT LOCK

CATCHES & LATCHES

PUSH KNOB BAR LATCHES



- Suitable for tall cabinet doors.
- Center latch with dead bolt, top and bottom cams.
- Door will be locked when knob is pushed in.
- Applicable from 3/4" (19 mm) to 1-3/16" (30 mm) door thickness.
- Non-handed.



A-A cross section

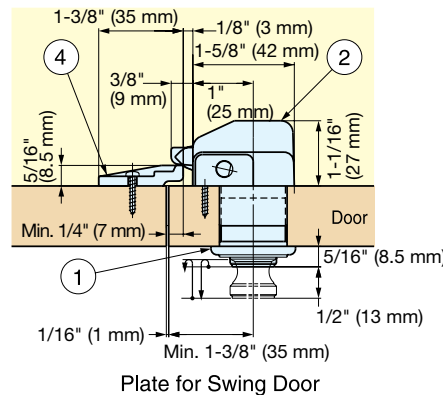
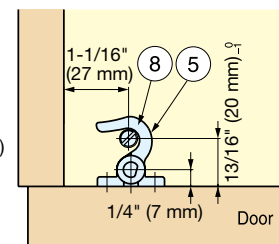


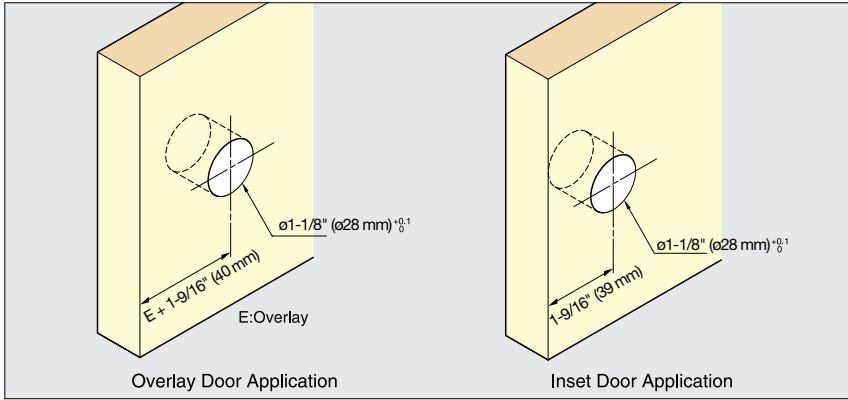
Plate for Swing Door



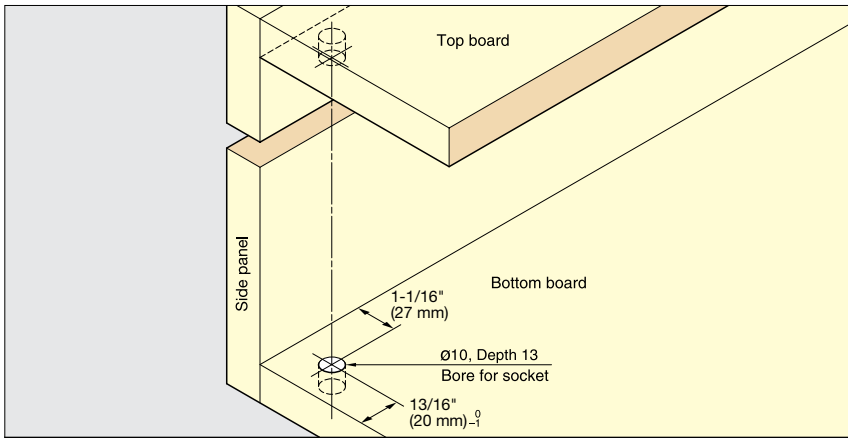
B-B cross section

"X" lengths are determined by door thickness.

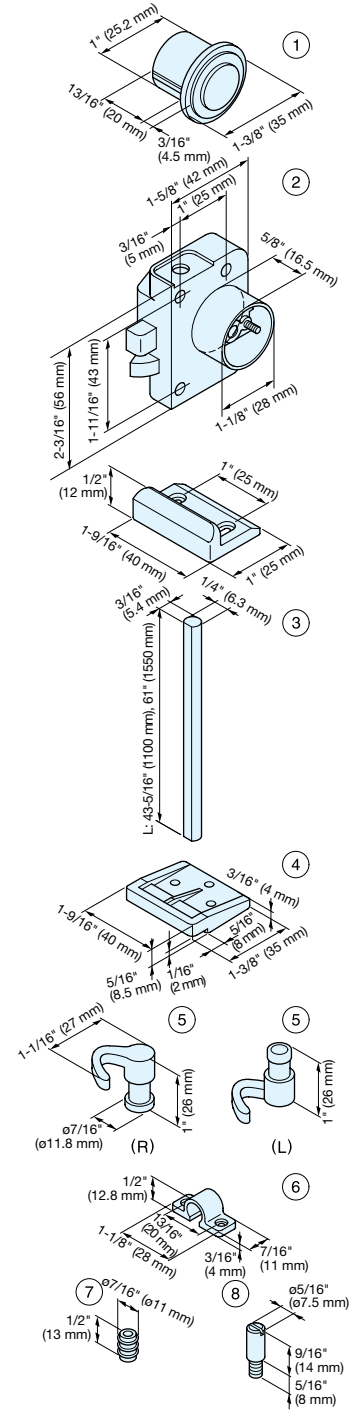
Screw Size (mm)	Door Thickness	Dimension X
24	3/4" (19 mm)	1-9/16" (40.5 mm)
	13/16" (20 mm)	1-5/8" (41.5 mm)
	13/16" (21 mm)	1-11/16" (42.5 mm)
	7/8" (22 mm)	1-11/16" (43.5 mm)
	15/16" (23 mm)	1-3/4" (44.5 mm)
	15/16" (24 mm)	1-13/16" (45.5 mm)
30	1" (25 mm)	1-13/16" (46.5 mm)
	1" (26 mm)	1-7/8" (47.5 mm)
	1-1/16" (27 mm)	1-15/16" (48.5 mm)
	1-1/8" (28 mm)	1-15/16" (49.5 mm)
	1-1/8" (29 mm)	2" (50.5 mm)
	1-3/16" (30 mm)	2" (51.5 mm)



Bore Dimensions (Door)



Bore Dimensions (Cabinet)



ORDERING INFO:

For complete set, order the push knob base, latch body, 2 bars, and the parts kit. Example

Qty	Item No.
1	TLP-BB/SN
1	TLP-LB/WHT
2	TLP-1550/NI
1	TLP-A/WHT

No.	Part Name	Item No.	Material	Finish	Qty/Set	Weight (g)	Box (pcs)	Carton (pcs)
①	Push Knob and Base	TLP-BB/SB	Zinc Alloy/Brass	Satin Brass	1 (select one type)	77	25	250
		TLP-BB/SN		Satin Nickel				
		TLP-BB/PB		Polished Brass				
		TLP-BB/CR		Chrome				
②	Latch Body	TLP-LB/WHT	Polyamide	White	1	33	10	100
③	Bar L = 43-5/16" (1100 mm)	TLP-1100/NI	Steel	Nickel	2	235	-	50
	Bar L = 61-1/32" (1550 mm)	TLP-1550/NI				335		
④	Counterplate for double swing doors	TLP-ST03W	Polyamide		optional part (1)	14		
⑤	Hook (R)	TLP-A/WHT (Parts Kit)	Polyacetal	White	1	32	25	250
⑤	Hook (L)							
⑥	Saddle							
⑦	Dowel							
⑧	Strike							
⑨	Screw (3 × 20)	Included in ②	Steel	Yellow Zinc Chromate	4			
⑩	Screw (3 × 16)				2			